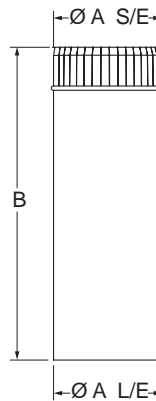




LIGHT GAUGE RESIDENTIAL PIPE — SNAP LOCK

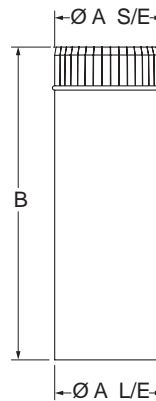
ITEM #	SIZE (")	A (")	B (")	FT/BNDL	WT/100
110470	4 x 60	4	60	50	48
110570	5 x 60	5	60	75	59
110670	6 x 60	6	60	50	73
110478	4 x 96	4	96	40	48
110578	5 x 96	5	96	40	59
110571	5 x 101	5	101	*	59
110472	4 x 120	4	120	50	48
110572	5 x 120	5	120	50	59
110672	6 x 120	6	120	50	73

*5 Lengths/Bndl



30 GAUGE PIPE — SNAP LOCK

ITEM #	SIZE (")	A (")	B (")	FT/BNDL	WT/100
110324	3 x 24	3	24	20	50
110424	4 x 24	4	24	20	64
110524	5 x 24	5	24	50	78
110624	6 x 24	6	24	50	92
110724	7 x 24	7	24	50	106
110824	8 x 24	8	24	50	119
111024	10 x 24	10	24	50	186
111224	12 x 24	12	24	50	216
110336	3 x 36	3	36	30	50
110436	4 x 36	4	36	30	64
110536	5 x 36	5	36	30	78
110636	6 x 36	6	36	30	92
110736	7 x 36	7	36	30	106
110836	8 x 36	8	36	30	119
110936	9 x 36	9	36	30	142
111036	10 x 36	10	36	30	176
110360	3 x 60	3	60	25	50
110460	4 x 60	4	60	50	64
110560	5 x 60	5	60	50	78
110660	6 x 60	6	60	50	92
110760	7 x 60	7	60	50	106
110860	8 x 60	8	60	50	119
110960	9 x 60	9	60	50	142
111060	10 x 60	10	60	25	176
111260	12 x 60	12	60	25	205
111460	14 x 60	13-15/16	60	25	238
110312	3 x 120	3	120	50	50
110412	4 x 120	4	120	50	64
110512	5 x 120	5	120	50	78
110612	6 x 120	6	120	50	92
110712	7 x 120	7	120	50	106
110812	8 x 120	8	120	50	119



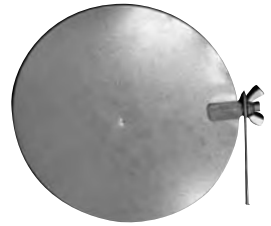
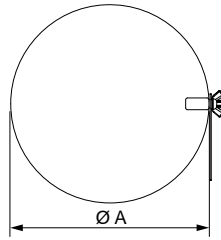
— E.&O.E. — All Prices F.O.B. Our Warehouse — Subject to Change Without Notice — All Taxes Extra



RESIDENTIAL GALV. PIPE AND ACCESSORIES

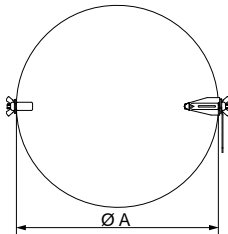
PIPE DAMPERS — SINGLE STEM

ITEM #	SIZE (")	A (")	CTN/QTY	WT/100
112700	4	3-11/16	50	12
112800	5	4-11/16	50	16
112900	6	5-11/16	50	21
113000	7	6-11/16	50	27
113100	8	7-11/16	50	34



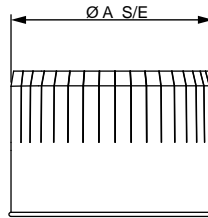
PIPE DAMPERS — DUAL STEM

ITEM #	SIZE (")	A (")	CTN/QTY	WT/100
114004	4	3-11/16	50	25
114005	5	4-11/16	50	31
114006	6	5-11/16	50	36
114007	7	6-11/16	50	43
114008	8	7-11/16	50	52
114009	9	8-11/16	50	60



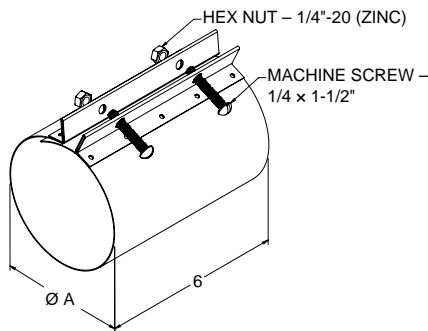
PLUGS — CRIMPED — GALVANIZED

ITEM #	SIZE (")	A (")	CTN/QTY	WT/100
136503	3	3	20	20
136504	4	4	20	25
136505	5	5	20	35
136506	6	6	20	22
136507	7	7	20	52
136508	8	8	20	73
136509	9	9	20	85
136510	10	10	20	110
136512	12	12	10	90



DRAW BANDS — 24 GAUGE

ITEM #	SIZE (")	A (")	CTN/QTY	WT/100
136524	4	4	50	90
136525	5	5	50	105
136526	6	6	50	120
136527	7	7	40	135
136528	8	8	25	150



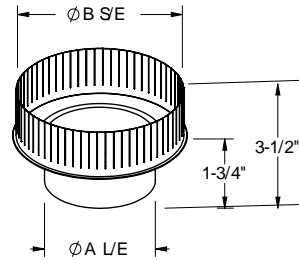
— E.&O.E. — All Prices F.O.B. Our Warehouse — Subject to Change Without Notice — All Taxes Extra



RESIDENTIAL GALV. PIPE AND ACCESSORIES

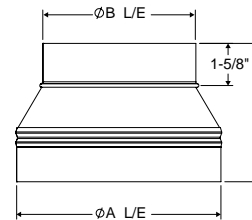
PIPE INCREASERS — GALVANIZED SHORT

ITEM #	SIZE (")	A (")	B (")	CTN/QTY	WT/100
136230	3-4	3	4	50	21
136231	3-5	3	5	50	26
136233	4-5	4	5	50	26
136234	4-6	4	6	50	32
136236	5-6	5	6	50	32



PIPE REDUCERS — LARGE END/LARGE END — CENTERLINE (C/L REDUCERS L/E-L/E)

ITEM #	SIZE (")	A (")	B (")	C (")	GA	CTN/QTY	WT/100
136343	4-3	4	3	4-5/8	26	20	52
136353	5-3	5	3	5-5/8	26	20	58
136354	5-4	5	4	4-5/8	26	20	58
136363	6-3	6	3	6-5/8	26	20	65
136364	6-4	6	4	5-5/8	26	20	65
136365	6-5	6	5	4-5/8	26	20	65
136374	7-4	7	4	6-5/8	26	20	78
136375	7-5	7	5	5-5/8	26	20	78
136376	7-6	7	6	4-5/8	26	20	78
136384	8-4	8	4	7-1/2	26	20	130
136385	8-5	8	5	6-5/8	26	20	126
136386	8-6	8	6	5-5/8	26	20	122
136387	8-7	8	7	4-5/8	26	20	118
136396	9-6	9	6	6-5/8	26	20	170
136397	9-7	9	7	5-5/8	26	20	160
136398	9-8	9	8	4-5/8	26	20	155
136406	10-6	10	6	7-1/2	26	20	191
136407	10-7	10	7	6-5/8	26	20	194
136408	10-8	10	8	5-5/8	26	20	188
136409	10-9	10	9	4-5/8	26	20	177
136418	12-8	12	8	7-1/2	26	20	272
136419	12-9	12	9	6-5/8	26	20	256
136420	12-10	12	10	5-5/8	26	20	237
136428	14-8	13-15/16	8	9-1/2	26	20	180
136430	14-10	13-15/16	10	7-1/2	26	20	280
136432	14-12	13-15/16	12	5-5/8	26	20	255
136440	16-10	15-15/16	10	9-1/2	26	*	230
136442	16-12	15-15/16	12	7-1/2	26	*	410
136444	16-14	15-15/16	13-15/16	5-5/8	26	*	290
136452	18-12	17-7/8	12	9-1/2	26	*	290
136454	18-14	17-7/8	13-15/16	7-1/2	26	*	250
136456	18-16	17-7/8	15-15/16	5-5/8	26	*	330



*Product shipped individually, not in cartons.

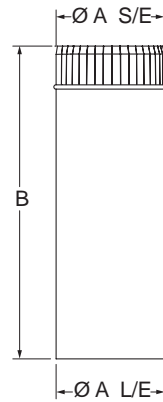
— E.&O.E. — All Prices F.O.B. Our Warehouse — Subject to Change Without Notice — All Taxes Extra



RESIDENTIAL GALV. PIPE AND ACCESSORIES

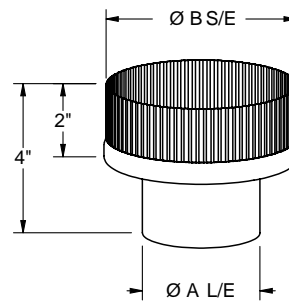
28 GAUGE PIPE — SNAP LOCK

ITEM #	SIZE (")	A (")	B (")	FT/BNDL	WT/100
110323	3 x 24	3	24	10	70
110423	4 x 24	4	24	10	88
110303	3 x 36	3	36	15	70
110403	4 x 36	4	36	15	88
110503	5 x 36	5	36	30	108
110603	6 x 36	6	36	30	128
110703	7 x 36	7	36	30	147
110803	8 x 36	8	36	30	166
110903	9 x 36	9	36	30	186
111003	10 x 36	10	36	30	206
111203	12 x 36	12	36	30	244
111403	14 x 36	13-15/16	36	30	283
110443	4 x 48	4	48	20	88
110543	5 x 48	5	48	40	108
110643	6 x 48	6	48	40	128
110743	7 x 48	7	48	40	147
110843	8 x 48	8	48	40	166
110463	4 x 60	4	60	20	88
110563	5 x 60	5	60	50	108
110663	6 x 60	6	60	50	128
110763	7 x 60	7	60	50	147
110863	8 x 60	8	60	25	166
110963	9 x 60	9	60	25	186
111063	10 x 60	10	60	25	206
111263	12 x 60	12	60	25	244
111463	14 x 60	13-15/16	60	25	283



PIPE INCREASERS — SPUN GALVANIZED

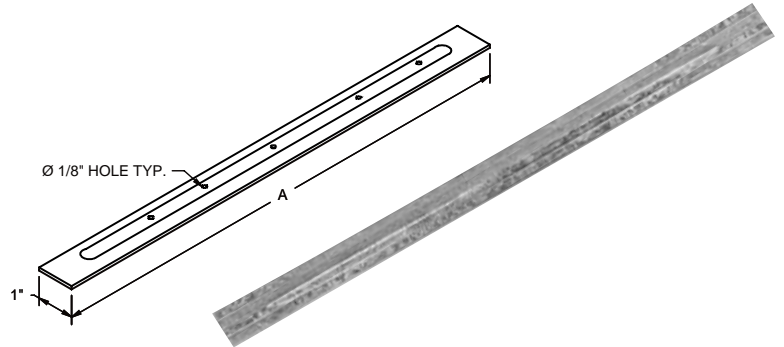
ITEM #	SIZE (")	A (")	B (")	CTN/QTY	WT/100
136210	3-4	3	4	20	25
136212	3-5	3	5	20	30
136214	3-6	3	6	20	40
136216	3-7	3	7	10	50
136213	4-5	4	5	20	32
136217	4-6	4	6	20	42
136219	4-7	4	7	10	50
136218	5-6	5	6	20	40
136220	5-7	5	7	10	55
136222	6-7	6	7	10	53
136226	6-8	6	8	10	66
136227	7-8	7	8	10	60



— E.&O.E. — All Prices F.O.B. Our Warehouse — Subject to Change Without Notice — All Taxes Extra

PIPE SUPPORTS

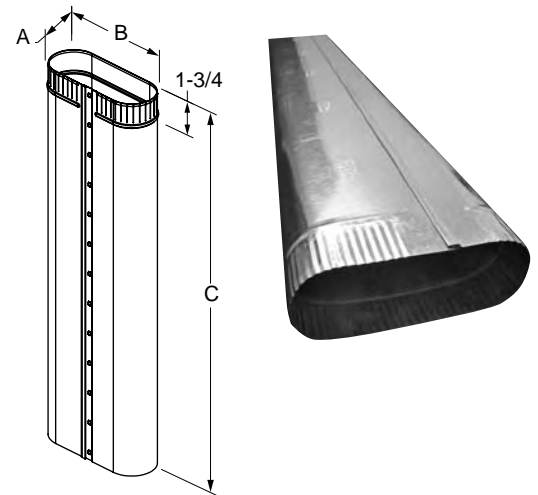
ITEM #	DESCRIPTION	A (")	CTN/QTY	WT/100
051800	16" - 20 Gauge	16-1/4	100	20
051819	19" - 18 Gauge	19-1/4	100	31
051821	21" - 18 Gauge	21-1/4	100	35
051824	24" - 18 Gauge	24-1/4	100	39
051826	26" - 18 Gauge	26-1/4	100	43



WALL STACKS — OVAL

ITEM #	SIZE	A (")	B (")	C (")	FT/BNDL	WT/100
111840	4 - (3 × 4-9/16) × 96	3	4-9/16	96	40	68
111852	5 - (3 × 6-1/8) × 52	3	6-1/8	52	*	338
111854	5 - (3 × 6-1/8) × 100	3	6-1/8	100	*	650
111652	6 - (3 × 7-3/4) × 52	3	7-3/4	52	*	399
111660	6 - (3 × 7-3/4) × 96	3	7-3/4	96	40	92
111661	6 - (3 × 7-3/4) × 100	3	7-3/4	100	*	780
111662	6 - (3 × 7-3/4) × 102	3	7-3/4	102	*	782
111663	6 - (3 × 7-3/4) × 104	3	7-3/4	104	*	836
111664	6 - (3 × 7-3/4) × 114	3	7-3/4	114	*	873
111670	7 - (3 × 9-1/4) × 96	3	9-1/4	96	40	106
111680	8 - (3 × 10-7/8) × 96	3	10-7/8	96	40	119
532160	6 - (3 × 7-3/4) × 96 26GA	3	7-3/4	96	40	156

*5 Lengths/Bndl



OVAL END CAPS

ITEM #	SIZE	A (")	B (")	CTN/QTY	WT/100
111804	4 - (3 × 4-5/8)	3	4-5/8	20	15
111805	5 - (3 × 6-1/8)	3	6-1/8	20	20
111806	6 - (3 × 7-3/4)	3	7-3/4	20	20
111807	7 - (3 × 9-1/4)	3	9-1/4	20	25
111808	8 - (3 × 10-7/8)	3	10-7/8	20	30

