



## Fall Protection

### USER INSTRUCTION MANUAL HINGED ROOF ANCHOR

This manual is intended to meet the Manufacturer's Instructions as required by OSHA and should be used as part of an employee training program.

#### DESCRIPTION

The Protecta Hinged Roof Anchor (Figure 1) consists of a forged D-ring attached to hinged steel base legs. The Hinged Roof Anchor is installed by fastening the base legs to a roof structure. After installation, a personal fall arrest or restraint system can be connected to the D-ring. Follow these instructions to install and use the Hinged Roof Anchor.

**WARNING:** This product is part of a fall arrest or restraint system. The users must read and understand the Protecta instructions for each component or part of the complete system. These instructions must be provided to the user of this equipment. The users must read and understand these instructions or have them explained to them before using this equipment. The Protecta instructions must be followed for proper use, care and maintenance of this product. Alterations or misuse of this product or failure to follow instructions, may result in serious injury or death.

**IMPORTANT:** If you have questions on the use, care, or suitability for use of this equipment, contact Capital Safety immediately. (See back cover for contact information.)

#### 1.0 APPLICATION

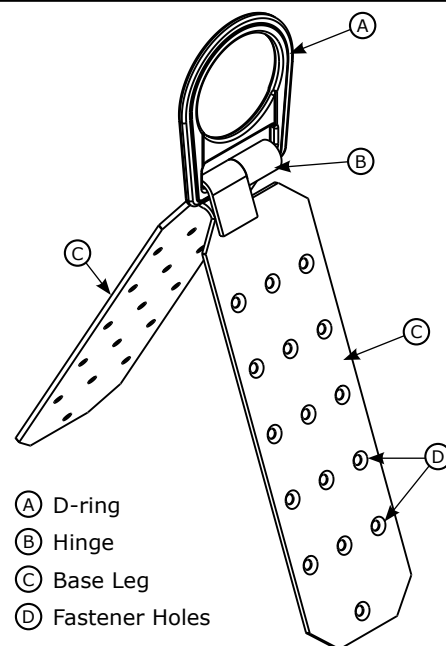
**1.1 PURPOSE:** The Hinged Roof Anchor is designed to be used as a temporarily installed (not for permanent installation) anchorage connector on wood frame structures. It is not to be used as a permanently installed device. This anchorage connector may be used as part of a personal fall arrest or restraint system. Do not attach a lifeline between two or more Hinged Roof Anchors (i.e. horizontal lifeline system). Do not hang, lift or support tools or equipment from the Hinged Roof Anchor or attach guylines for antennas, phone lines, etc.

- A. FALL ARREST APPLICATION:** In this application, the Hinged Roof Anchor is used as part of a complete fall arrest system. Such systems typically include a full body harness and some form of connecting subsystem, such as an energy absorbing lanyard. Maximum permissible free fall is 6 feet (1.8 m). This type of system is used where a free fall is possible before the fall is arrested.
- B. RESTRAINT APPLICATION:** In this application, the Hinged Roof Anchor is used as part of a complete restraint system. Such systems typically include a full body harness and a lanyard or restraint line used to restrain or tether the user from reaching a hazard (i.e. leading edge roof work). This type of system is used where no vertical free fall is possible.

#### 2.0 TRAINING

**2.1 TRAINING:** It is the responsibility of the user to assure they are familiar with these instructions, and are trained in the correct care and use of this equipment. The user must also be aware of the operating characteristics, application limits, and the consequences of improper use of this equipment. This user manual is not a substitute for a comprehensive training program. Training must be provided on a periodic basis to ensure proficiency of the users.

Figure 1 – Hinged Roof Anchor



- (A) D-ring
- (B) Hinge
- (C) Base Leg
- (D) Fastener Holes

**WARNING:** Training must be conducted without exposing the trainee to a fall hazard and should be repeated on a periodic basis.

### 3.0 SYSTEM LIMITATIONS AND PRECAUTIONS

**3.1 LIMITATIONS:** Always consider the following limitations and requirements when installing or using this equipment.

- A. ROOF STRUCTURE:** This anchorage connector is intended to be installed on wood framed or steel decking structures capable of meeting the anchorage strength requirements as set forth in section 3.8. Consult Capital Safety before using these Hinged Roof Anchors on any other roof material.
- B. CAPACITY:** This equipment is designed for use by persons with a combined weight (person, clothing, tools, etc.) that does not exceed 310 lbs (141 Kg).

**NOTE:** Only one personal protective system may be connected to the Hinged Roof Anchor at any time.

- C. PERSONAL FALL ARREST SYSTEM (PFAS) :** The PFAS selected for use with this Hinged Roof Anchor must meet the system performance and other criteria as referred to in section 3.2.
- D. FREE FALL:** PFASs used with the Hinged Roof Anchor must be rigged in such a way as to limit the free fall to a maximum of 6 feet (1.8 m) (reference ANSI Z359.1). Refer to the Protecta instructions of the connecting subsystem or component for more information on fall clearance.
- E. FALL CLEARANCE:** Make certain that enough clearance exists in your fall path to prevent striking an object. The amount of clearance required is dependent upon the anchorage location, the amount of stretch in the lifeline, free fall distance and deceleration distance. See associated connecting subsystem Protecta instructions and section 3.4 for more information regarding fall clearance estimation.
- F. RESTRAINT SYSTEMS:** Restraint systems selected for use with this Hinged Roof Anchor must meet applicable local and federal requirements governing the use of that equipment. See section 3.2.
- G. CORROSION:** Do not leave this equipment for long periods in environments where corrosion of metal parts could take place as a result of vapors from organic materials. Sewage and fertilizer plants, for example, have high concentrations of ammonia. Use near seawater or other corrosive environments may require more frequent inspections or servicing to ensure corrosion damage is not affecting the performance of the product.
- H. CHEMICAL HAZARDS:** Solutions containing acids, alkali, or other caustic chemicals, especially at elevated temperatures, may cause damage to this equipment. When working with such chemicals, frequent inspection of this equipment must be performed. Consult Capital Safety if doubt exists concerning using this equipment around chemical hazards.
- I. ENVIRONMENTAL HAZARDS:** Use of this equipment with environmental hazards may require additional precautions to prevent injury to the user or damage to the equipment. Hazards may include, but are not limited to: heat, chemicals, corrosive environments, gases, moving machinery, moving vehicles and sharp edges. Contact Capital Safety if you have questions about using this equipment where environmental hazards may exist.
- J. ELECTRICAL HAZARDS:** Do not install Hinged Roof Anchors where they or the user may come into contact with electrical power lines.

**3.2 SYSTEM REQUIREMENTS:** Refer to ANSI Z359.1, OSHA and applicable local requirements governing this equipment for more information.

**3.3 RESCUE PLAN:** Prior to using this equipment, the employer must have a rescue plan in place and the means in which to implement the rescue. This plan must also be communicated to the plan users and authorized personnel as well.

**3.4 PRECAUTIONS:**

**WARNING:** Do not alter or intentionally misuse this equipment. Consult Capital Safety if using this equipment with components or subsystems other than those described in this manual. Some subsystem and component combinations may interfere with the operation of this equipment. Use caution when using this equipment around moving machinery, electrical hazards, chemical hazards, and sharp edges.

**WARNING:** Do not use this equipment if you are unable to tolerate the impact from a fall arrest. Age and fitness can seriously affect your ability to withstand a fall. Pregnant women and minors must not use this equipment.

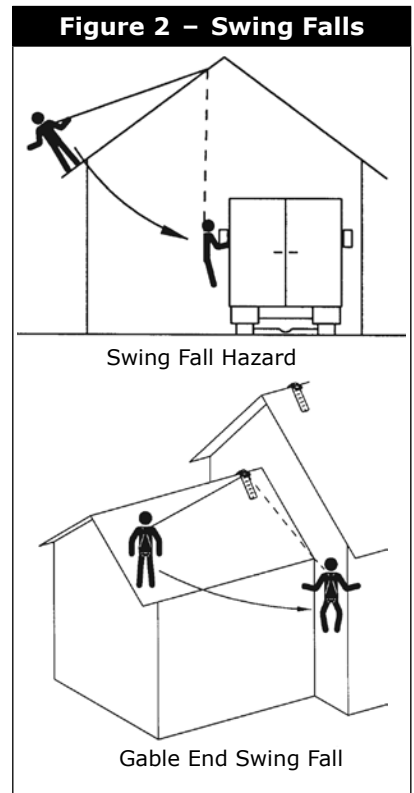
**NOTE:** The Hinged Roof Anchor is designed as a multi-use anchor. New fasteners must be used for every reinstallation.

**BEFORE EACH USE** of this equipment, carefully inspect it to ensure that it is in good working condition. See Section 5 for inspection details. Do not use if inspection reveals an unsafe condition.

**PLAN** your fall arrest or restraint system before starting your work. Consider all factors that affect your safety before, during, and after a fall. Refer to these and related subsystem component instructions, and state and federal safety regulations for guidance in planning your system. The following list gives some important points to consider when planning your system:

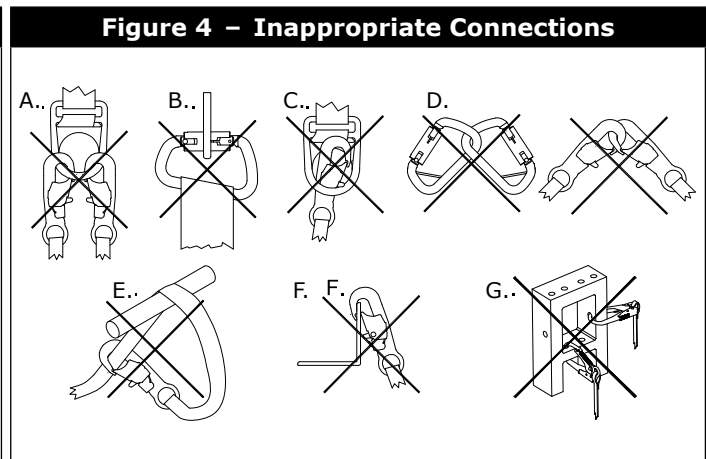
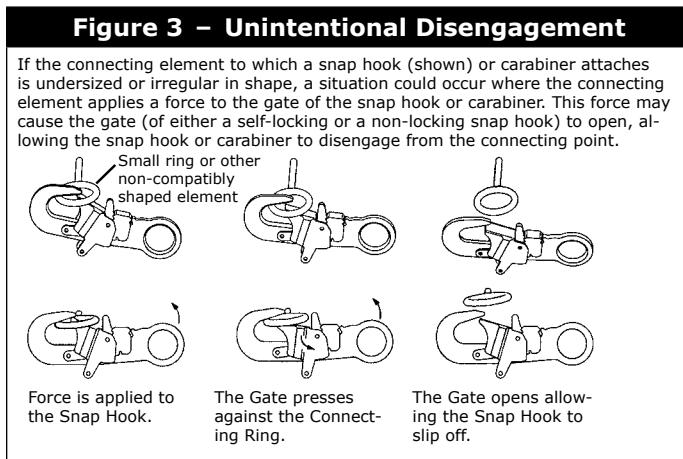
- A. HINGED ROOF ANCHOR LOCATION:** The Hinged Roof Anchor location must be carefully selected to reduce possible free fall and swing fall hazards and to avoid striking an object during a fall. For fall arrest systems OSHA requires the anchorage be independent of the means suspending or supporting the user. For restraint systems the anchorage must be located such that no vertical free fall is possible. Hinged Roof Anchor installation is covered in Section 4 in this manual.
- B. FREE FALL:** Do not work above the Hinged Roof Anchor level because increased fall distance will result. Personal fall arrest systems must be rigged such that the potential free fall is never greater than 6 feet (1.8 m). Restraint systems must be rigged such that there is no possible vertical free fall.

- C. **PERSONAL FALL ARREST SYSTEM REQUIREMENT:** PFASs used with this roof anchor must meet applicable OSHA, state, federal, and ANSI requirements. PFASs incorporating a full body harness must be capable of arresting a worker's fall with maximum arresting force of no greater than 1,800 lbs. and limit the free fall distance to 6 feet or less. The deceleration distance for PFAS must be 42 inches (1.1 m) or less. Reference ANSI Z359.1 and OSHA requirements.
- D. **SWING FALLS:** Swing falls occur when the anchorage point is not directly above the point where a fall occurs. The force of striking an object while swinging can be great and cause serious injury. Swing falls can be minimized by working as directly below the anchorage as possible. See Figure 2.
- E. **FALL CLEARANCE:** Should a fall occur, there must be sufficient clearance in the fall area to arrest the fall before striking the ground or other objects. The actual clearance required is dependent upon the type of fall arrester connecting subsystem used (energy absorbing lanyard, self retracting lifeline, etc.). Refer to the Protecta instructions for fall clearance information.
- F. **SHARP EDGES:** Avoid working where the connecting subsystem (i.e. shock absorbing lanyard, self retracting lifeline, full body harness, etc.) or other components will be in contact with, or abrade against, unprotected sharp edges. Do not loop lanyard around small diameter structural members. If working with equipment near sharp edges is unavoidable, protection against cutting must be provided by using a heavy pad or other means over the exposed sharp edge.
- G. **AFTER A FALL:** Components which have been subjected to the forces of arresting a fall must be removed from service immediately and destroyed.
- H. **GENERAL USE CONSIDERATIONS:** Avoid working where a connected lifeline may cross or tangle with that of another worker. Do not allow a connected lanyard to pass under the arms or between the legs of the user.



- 3.5 **COMPATIBILITY OF COMPONENTS:** Capital Safety equipment is designed for use with Capital Safety approved components and subsystems only. Substitutions or replacements made with non-approved components or subsystems may jeopardize compatibility of equipment and may affect the safety and reliability of the complete system.
- 3.6 **COMPATIBILITY OF CONNECTORS:** Connectors are considered to be compatible with connecting elements when they have been designed to work together in such a way that their sizes and shapes do not cause their gate mechanisms to inadvertently open regardless of how they become oriented. Consult Capital Safety if you have any questions about compatibility.

Connectors (hooks, carabiners, and D-rings) must be capable of supporting at least 5,000 lbs. (22.2 kN). Connectors must be compatible with the anchorage or other system components. Do not use equipment that is not compatible. Non-compatible connectors may unintentionally disengage. See Figure 3. Connectors must be compatible in size, shape, and strength.



- 3.7 **MAKING CONNECTIONS:** Only use self-locking snap hooks and carabiners with this equipment. Only use connectors that are suitable to each application. Ensure all connections are compatible in size, shape and strength. Do not use equipment that is not compatible. Ensure all connectors are fully closed and locked.

Capital Safety connectors (snap hooks and carabiners) are designed to be used only as specified in each product's user instructions. See Figure 4 for inappropriate connections. Capital Safety snap hooks and carabiners should not be connected:

- A. To a D-ring to which another connector is attached.
- B In a manner that would result in a load on the gate.

**CAUTION:** Large throat-opening snap hooks should not be connected to standard size D-rings or similar objects which will result in a load on the gate if the hook or D-ring twists or rotates. Large throat snap hooks are designed for use on fixed structural elements such as rebar or cross members that are not shaped in a way that can capture the gate of the hook.

- C. In a false engagement, where features that protrude from the snap hook or carabiner catch on the anchor and, without visual confirmation, seem to be fully engaged to the anchor point.
- D. To each other.
- E. Directly to webbing or rope lanyard or tie-back (unless the manufacturer's instructions for both the lanyard and connector specifically allows such a connection).
- F. To any object which is shaped or dimensioned such that the snap hook or carabiner will not close and lock, or that roll-out could occur.
- G. In a manner that does not allow the connector to align properly while under load.

**3.8 ANCHORAGE STRENGTH:** Depending on the application, the anchorage to which the Hinged Roof Anchor is installed must meet strengths as given below:

**FALL ARREST:** Hinged Roof Anchors installed for fall arrest applications must be attached to a roof member capable of sustaining static loads in the direction(s) permitted by the PFAS when in use of at least: (A) 3,600 lbs. (16 kN) when certification exists (reference ANSI Z359.1 for certification definition); or (B) 5,000 lbs. (22.2 kN) in absence of certification. See Figure 7 for Hinged Roof Anchor loading direction limitations. When more than one Hinged Roof Anchor is installed to a roof structure, the strengths given in (A) or (B) above must be met at each Hinged Roof Anchors installation point independently. **EXAMPLE:** If two Hinged Roof Anchors are installed onto a roof structure, each anchor location must be independently capable of supporting 5,000 lbs. (or 3,600 lbs. [16 kN] with certification).

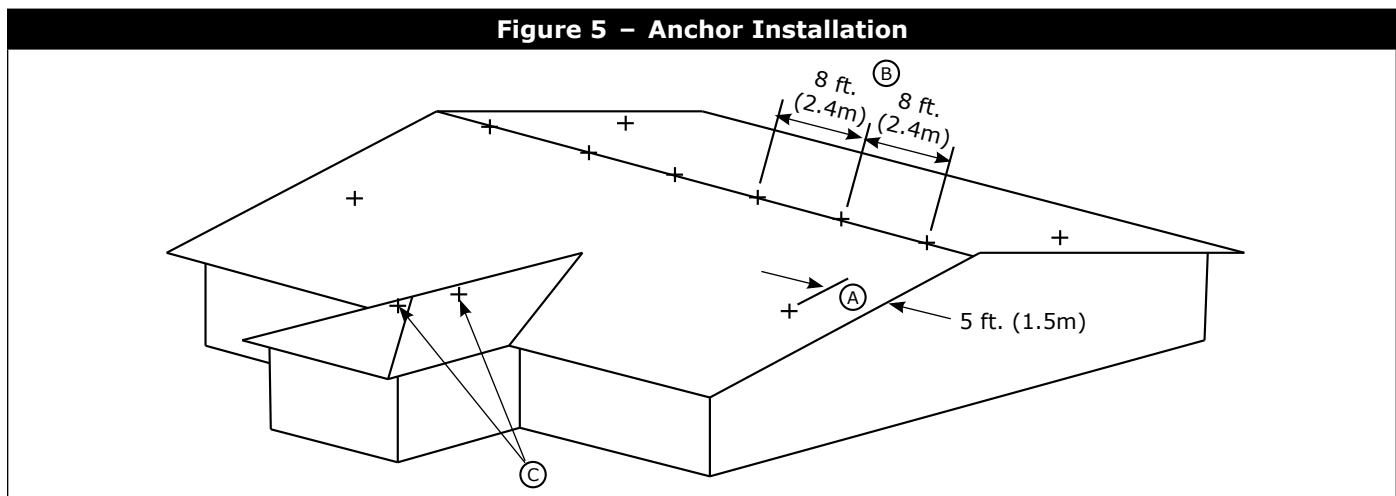
**FROM OSHA 1926.500 AND 1910.66:** Anchorages used for attachment of a personal fall arrest system shall be independent of any anchorage being used to support or suspend platforms, and must support at least 5,000 lbs. (22.2 kN) per user attached; or be designed, installed, and used as part of a complete personal fall arrest system which maintains a safety factor of at least two, and is supervised by a qualified person.

**RESTRAINT:** Hinged Roof Anchors installed for restraint applications must be attached to a roof member capable of sustaining a static load of at least 3,000 lbs. (1,360 kg) applied in any direction permitted by the restraint system when in use. Each Hinged Roof Anchor installation must be independently capable of sustaining this load.

## 4.0 INSTALL AND USE HINGED ROOF ANCHOR

### 4.1 HINGED ROOF ANCHOR PRE-INSTALLATION PLANNING.

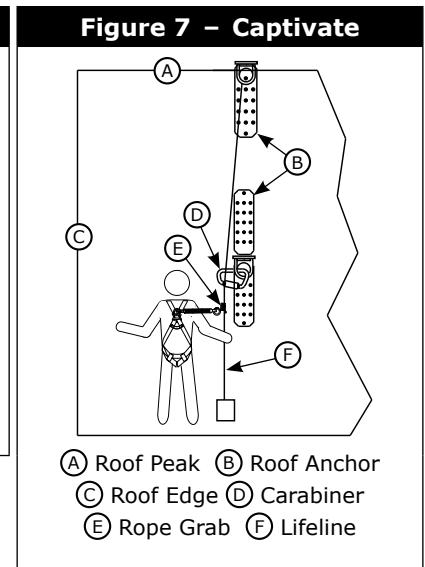
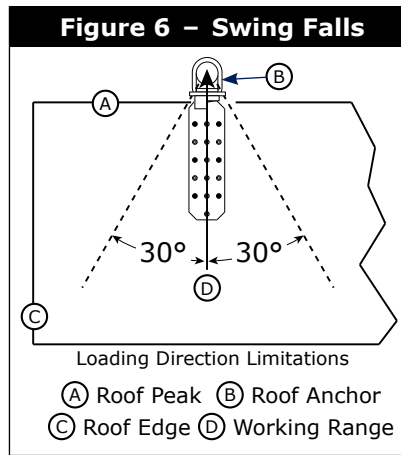
**A. HINGED ROOF ANCHOR SITE PLAN:** Before starting the roof construction, a plan should be established as to where Hinged Roof Anchors will be installed, and when during the construction process they may be used. The following are guidelines for locating Hinged Roof Anchors (See Figure 5):



- The Hinged Roof Anchor should be located at the roof peak (when possible) and at least 5 feet (1.5 m) (A) from any exposed roof edge. On very small roof areas, locate the Hinged Roof Anchor as far from the roof edge as possible. Additional Hinged Roof Anchors may be installed along the roof peak as needed.
- Hinged Roof Anchors must only be used on structures capable of supporting the loads applied in all directions permitted by the fall arrest system. See Section 3.8 for anchorage strength requirements. Do not install Hinged Roof Anchors on unsupported roof structures such as eaves or gable overhangs. Do not install Hinged Roof Anchors on fascia boards.
- The hinged roof anchor must only be installed in locations that allow the worker to be positioned within 30 degrees of the anchor during use and if a fall occurs. See figure 6.
- Hinged Roof Anchors should be installed at 8 ft (2.4 m) spacings along the roof ridge (B). Hip roofs require a Hinged Roof Anchor on each hip face (C).
- On long low pitched roofs, multiple Hinged Roof Anchors should be installed along the gable ends 5 feet (1.5 m) from the edge to reduce swing fall hazards.

- B. SWING FALLS:** Swing falls (also described in Section 3.4) occur when the anchor is not directly above the point where a fall occurs. The force of striking an object while swinging can be great and cause serious injury. The worker must be positioned within 30 degrees of the Hinged Roof Anchor (See Figure 6).

A system lifeline can be captivated to an anchorage close to the work area with a carabiner and a second Hinged Roof Anchor (see Figure 7, D).



- C. ROOF FRAMING:** Roof framing members that the Hinged Roof Anchor will be fastened to must be in good condition. Members must be free of splits, cracks, large knots, or defects that may weaken the member. Do not attach the Hinged Roof Anchor to rotted or deteriorated wood.

#### 4.2 HINGED ROOF ANCHOR INSTALLATION

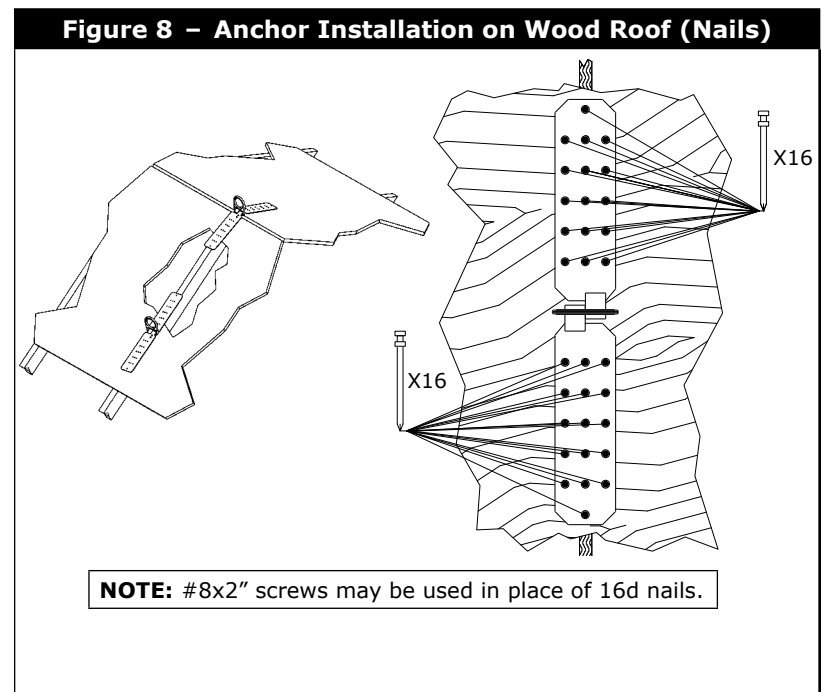
- A. FASTENERS:** The Hinged Roof Anchor may be secured to the roof using a minimum of 32 #8x2" screws or 32 16d 3" double head nails for fastening into wood. The fasteners in the center row must be installed into the roof rafter. Use all holes provided when securing the Hinged Roof Anchor to the wood structure.

For Steel roof or metal decking applications, use 12 #12 sheet metal screws. The sheet metal screws must be long enough to penetrate the steel decking and through the Z-purlin.

- B.** Hinged Roof Anchors must be installed in accordance with the site plan discussed in Section 4.1. Site work rules must be followed regarding when an installed Hinged Roof Anchor is ready for use (i.e. after sheathing is in place).

##### ATTACHING THE HINGED ROOF ANCHOR:

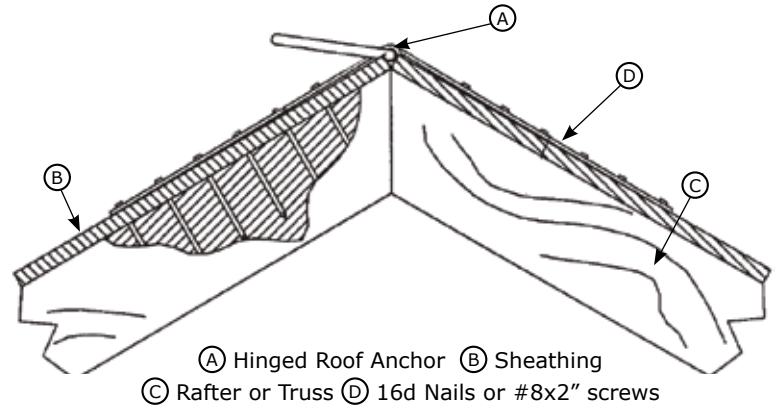
(See Figures 8 and 9.) Spread the Hinged Roof Anchor base legs apart to match the surface it will be mounted on, a roof peak or a flat surface. Position the anchor on the roof such that the 12 holes along the center of the legs are over a framing member. Then, push down to minimize any gap between the anchor and the sheathing and secure with screws or nails. Use only 32 #8x2" screws or 32 16d 3" double head nails to install the anchor on the wood roof. The 12 fasteners in the center row must be installed into the roof rafter. The remaining 20 fasteners are installed into the sheathing. Use all holes provided when securing the Hinged Roof Anchor to the wood structure. See section 5.0 for pre-use inspection.



**WARNING:** The Hinged Roof Anchor must be positioned on top of previously secured roof sheathing (do not attach directly to rafter or truss member). All 32 fasteners must be installed. If the Hinged Roof Anchor is not installed properly, it will not hold the rated loads and serious injury or death could occur.

**WARNING:** Use only new screws or 16d nails. Nails must have a complete head. Do not use nails from nail guns. Never attach the Hinged Roof Anchor with the legs still together (legs must be spread apart).

**Figure 9 – Hinged Roof Anchor Installation on Wood**

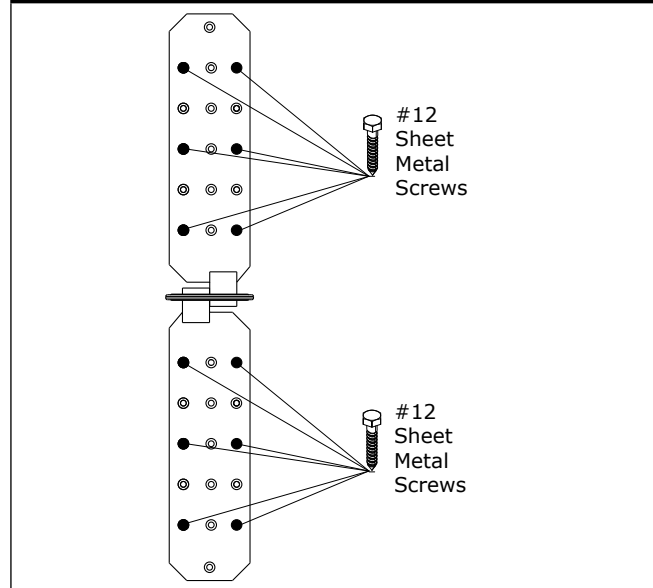


**C. STEEL DECKING INSTALLATION:**

(See Figure 10) This anchor may be installed on steel decking with a minimum material thickness of 22 gauge (.030 inch) over Z-purlins with a minimum material thickness of 16 gauge (.064 inch). Twelve #12 Tek screws are required to fasten the anchor. The screws should be of sufficient length so that at least five threads are exposed beyond the bottom of the purlin. The screws must be located as shown in Figure 11. **Every screw must penetrate the Z-purlin.** Anchor must lie flat on the steel decking.

**D. REMOVAL OF HINGED ROOF ANCHOR:** Remove the Hinged Roof Anchor prior to shingling the area with the anchor. To remove it, pry off the anchor from the roof. If the anchors are screwed down, the screws should be removed rather than prying the anchor from the roof. After removal of the anchor, surface may require repairs. It is the responsibility of the installer to make applicable repairs to the roof materials.

**Figure 10 – Steel Roof Installation**



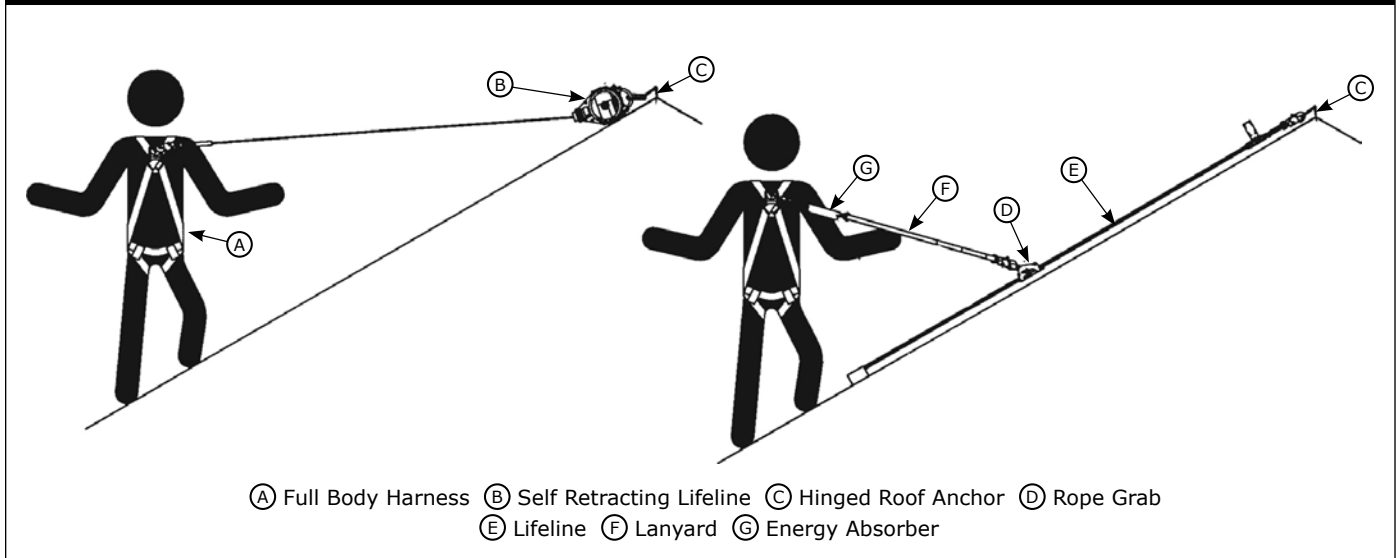
**NOTE:** The Hinged Roof Anchor is designed as a multi-use anchor. New fasteners must be used for every reinstallation.

**4.3 CONNECT TO THE INSTALLED HINGED ROOF ANCHOR:** (See Figure 11) Connection to the installed Hinged Roof Anchor may be made using a self locking snap hook or self locking and self closing carabiner only. Do not use a knot to connect a lifeline to the Hinged Roof Anchor. Do not pass the lanyard or lifeline through the Hinged Roof Anchor D-ring and hook back into the lanyard or lifeline. When connecting, make sure the connections are fully closed and locked. Figure 11 illustrates the proper connection of a typical fall arrest or restraint equipment to the Hinged Roof Anchor. When using an energy absorbing lanyard, connect the energy absorber "pack" end to the harness. When using a self retracting lifeline, make sure the device is properly positioned so that the retraction is not hindered. Always protect the lifeline/lanyard from abrading against sharp or abrasive surfaces on the roof. Make sure all the connections are compatible in size, shape, and strength. Never connect more than one personal fall protection system to any single Hinged Roof Anchor.

**WARNING:** Read and follow manufacturer's instructions for associated equipment (i.e. full body harness, shock absorbing lanyard, self retracting lifeline, etc.) used in your personal fall arrest system.

**WARNING:** For special (Custom) versions of this product, follow the instructions herein. If enclosed, see attached supplement for additional instructions to be followed when using a customized product.

**Figure 11 – Making Connections**



## 5.0 INSPECTION

### 5.1 FREQUENCY:

- A. Before each use, visually inspect the equipment per steps listed in section 5.2.
- B. The Hinged Roof Anchor must be inspected by a competent person<sup>1</sup> other than the user at least annually. See section 5.2 for guidelines. Record the results of each formal inspection in the *Inspection and Maintenance Log* in this manual. NOTE: Cal/OSHA requires personal fall arrest systems be inspected prior to each use for wear, damage, and defects and inspected by a competent person at least twice a year, in accordance with the manufacturer's recommendations, with inspection dates documented.

**IMPORTANT:** If this equipment has been subjected to forces resulting from the arrest of a fall, it must be immediately removed from service and destroyed. The Hinged Roof Anchor is not repairable. See section 5.2 for Inspection Steps.

### 5.2 INSPECTION STEPS:

- Step 1.** Inspect the Hinged Roof Anchor for physical damage. Look carefully for any signs of cracks, dents, or deformities in the metal. Check for bending; the Hinged Roof Anchor legs should be flat. Welds should be free of any cracks.
- Step 2.** Inspect the Hinged Roof Anchor for signs of excessive corrosion.
- Step 3.** Ensure the condition of the Hinged Roof Anchor will support the Hinged Roof Anchor loads (see Section 3.8). A Hinged Roof Anchor connected to rotten or deteriorated wood should not be used.
- Step 4:** Ensure the Hinged Roof Anchor is still securely attached. If the Hinged Roof Anchor is loose, do not use.
- Step 5.** All labels must be present and fully legible. See section 8.
- Step 6.** If inspection reveals a defective condition, remove the Hinged Roof Anchor from service immediately and destroy. The Hinged Roof Anchor is not repairable.
- Step 7:** Record the inspection date and results in the *Inspection and Maintenance Log* in this manual.

## 6.0 SPECIFICATIONS

**Material:** Forged alloy D-ring and 1/8 in. thick steel base.

**Minimum Breaking Strength:** 5,000 lbs. when installed according to instructions and as shown in Section 4, Figure 7. 30 degree working range.

**Weight:** 1.8 lbs (0.8 kg)

**Size:** 5/8 in. x 4 in. x 17 in.

**Capacity:** 310 lbs. (one person)

**Standards:** ANSI Z359.1 and OSHA.

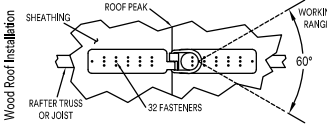
## 7.0 CLEANING AND MAINTENANCE

No scheduled maintenance is required.

**1 Competent Person:** An individual knowledgeable of a manufacturer's recommendations, instructions and manufactured components who is capable of identifying existing and predictable hazards in the proper selection, use and maintenance of fall protection.

## 8.0 LABELS

### 8.1 This Hinged Roof Anchor label must be present and fully legible:

<p><b>3M</b>   <b>PROTECTA</b> <b>Fall Protection</b></p> <p>Model: 2104000 Anchorage Connector Standards: OSHA 1910.66, 1926.502; ANSI Z359.1-2007 ANSI Capacity: 1 person, 310 lbs (141 kg) Minimum Breaking Strength: 5,000 lb Material: Zinc Plated Steel</p> <p><b>WARNING</b> Read instructions before use. Manufacturer's instructions supplied with this product at time of shipment must be followed for proper use, maintenance, and inspection.</p> <p>Failure to follow instructions may result in serious injury or death. Use only with ANSI/OSHA compliant personal fall arrest systems. Anchor must be properly installed to support required loads. Only make compatible connections. For temporary use only. Avoid contact with sharp edges and abrasive surfaces.</p> <p>See instructions for further details. Not intended as a permanently installed anchorage. Remove after use. Anchor must be removed and disposed of after a fall event. Do not remove label.</p> <p>3M.com/FallProtection <span style="float: right;">9513255 Rev. A</span></p>	<p><b>Inspection:</b> Inspect anchor before each use. In addition, a competent person must inspect at least annually. Do not use if inspection reveals an unsafe or defective condition. Do not remove this label.</p> <p><b>Installation -</b> Select an anchorage point that is rigid and capable of supporting the required loads. Each 2104000 Reusable Roof Anchor must be fastened to the wood roof structure using a minimum of 32 #8x2" screws or 32 16d 3" double head nails. Anchor must be placed over both plywood sheathing and roof truss. The 12 fasteners in the center row must be fastened into the roof rafter or truss.</p> <p>Use all Holes provided when securing the Reusable Roof Anchor to the wood structure. The Reusable Roof Anchor is Rated to ANSI Z359.1 when working within 60 degrees of the anchor. See figure below. For steel decking installation, anchor must be installed on steel decking with a minimum material thickness of 22 gauge (.030 inch) over steel Z-purlins with a minimum material thickness of 16 gauge (.064 inch).</p> <p>Anchor must be installed with a minimum of (12) #12 Tek's sheet metal screws with a sufficient length to penetrate both the steel decking and the Z-purlin and have 5 threads be exposed beyond the bottom of the Z-purlin. Every screw must penetrate the Z-purlin. See instructions for more details and installation requirements.</p>  <p>Wood Roof Installation</p>
---	--





## LIMITED LIFETIME WARRANTY

**Warranty to End User:** D B Industries, LLC dba CAPITAL SAFETY USA ("CAPITAL SAFETY") warrants to the original end user ("End User") that its products are free from defects in materials and workmanship under normal use and service. This warranty extends for the lifetime of the product from the date the product is purchased by the End User, in new and unused condition, from a CAPITAL SAFETY authorized distributor. CAPITAL SAFETY'S entire liability to End User and End User's exclusive remedy under this warranty is limited to the repair or replacement in kind of any defective product within its lifetime (as CAPITAL SAFETY in its sole discretion determines and deems appropriate). No oral or written information or advice given by CAPITAL SAFETY, its distributors, directors, officers, agents or employees shall create any different or additional warranties or in any way increase the scope of this warranty. CAPITAL SAFETY will not accept liability for defects that are the result of product abuse, misuse, alteration or modification, or for defects that are due to a failure to install, maintain, or use the product in accordance with the manufacturer's instructions.

CAPITAL SAFETY'S WARRANTY APPLIES ONLY TO THE END USER. THIS WARRANTY IS THE ONLY WARRANTY APPLICABLE TO OUR PRODUCTS AND IS IN LIEU OF ALL OTHER WARRANTIES AND LIABILITIES, EXPRESSED OR IMPLIED. CAPITAL SAFETY EXPRESSLY EXCLUDES AND DISCLAIMS ANY IMPLIED WARRANTIES OF MERCHANTABILITY OR FITNESS FOR A PARTICULAR PURPOSE, AND SHALL NOT BE LIABLE FOR INCIDENTAL, PUNITIVE OR CONSEQUENTIAL DAMAGES OF ANY NATURE, INCLUDING WITHOUT LIMITATION, LOST PROFITS, REVENUES, OR PRODUCTIVITY, OR FOR BODILY INJURY OR DEATH OR LOSS OR DAMAGE TO PROPERTY, UNDER ANY THEORY OF LIABILITY, INCLUDING WITHOUT LIMITATION, CONTRACT, WARRANTY, STRICT LIABILITY, TORT (INCLUDING NEGLIGENCE) OR OTHER LEGAL OR EQUITABLE THEORY.



Fall Protection

### USA

3833 SALA Way  
Red Wing, MN 55066-5005  
Toll Free: 800.328.6146  
Phone: 651.388.8282  
Fax: 651.388.5065  
solutions@capitalsafety.com

### Brazil

Rua Anne Frank, 2621  
Boqueirão Curitiba PR  
81650-020  
Brazil  
Phone: 0800-942-2300  
brasil@capitalsafety.com

### Mexico

Calle Norte 35, 895-E  
Col. Industrial Vallejo  
C.P. 02300 Azcapotzalco  
Mexico D.F.  
Phone: (55) 57194820  
mexico@capitalsafety.com

### Colombia

Compañía Latinoamericana de Seguridad S.A.S.  
Carrera 106 #15-25 Interior 105 Manzana 15  
Zona Franca - Bogotá, Colombia  
Phone: 57 1 6014777  
servicioalcliente@capitalsafety.com

### Canada

260 Export Boulevard  
Mississauga, ON L5S 1Y9  
Phone: 905.795.9333  
Toll-Free: 800.387.7484  
Fax: 888.387.7484  
info.ca@capitalsafety.com

### EMEA (Europe, Middle East, Africa)

*EMEA Headquarters:*  
5a Merse Road  
North Moons Moat  
Redditch, Worcestershire  
B98 9HL UK  
Phone: + 44 (0)1527 548 000  
Fax: + 44 (0)1527 591 000  
csgne@capitalsafety.com

### France:

Le Broc Center  
Z.I. 1re Avenue - BP15  
06511 Carros Le Broc Cedex  
France  
Phone: + 33 04 97 10 00 10  
Fax: + 33 04 93 08 79 70  
information@capitalsafety.com

### Australia & New Zealand

95 Derby Street  
Silverwater  
Sydney NSW 2128  
Australia  
Phone: +(61) 2 8753 7600  
Toll-Free : 1800 245 002 (AUS)  
Toll-Free : 0800 212 505 (NZ)  
Fax: +(61) 2 8753 7603  
sales@capitalsafety.com.au

### Asia

#### Singapore:

69, Ubi Road 1, #05-20  
Oxley Bizhub  
Singapore 408731  
Phone: +65 - 65587758  
Fax: +65 - 65587058  
inquiry@capitalsafety.com

#### Shanghai:

Rm 1406, China Venturetech Plaza  
819 Nan Jing Xi Rd,  
Shanghai 200041, P R China  
Phone: +86 21 62539050  
Fax: +86 21 62539060  
inquiry@capitalsafety.cn

[www.capitalsafety.com](http://www.capitalsafety.com)



**MANUEL DE L'UTILISATEUR**  
**ANCRAGE DE TOITURE ARTICULÉ**

**Fall Protection**

Le présent manuel est conçu pour satisfaire aux directives du fabricant et devrait être utilisé dans le cadre d'un programme de formation pour les employés, tel que requis par l'OSHA.

**DESCRIPTION**

L'ancrage de toiture articulé Protecta (Figure 1) est un dé d'accrochage forgé attaché à des pattes de socle articulées en acier. L'ancrage de toiture articulé est installé en fixant les pattes de socle sur la structure d'une toiture. Après l'installation, un système antichute personnel ou un dispositif de sécurité peut être connecté au dé d'accrochage. Veuillez suivre ces instructions pour installer et utiliser l'ancrage de toiture articulé.

**AVERTISSEMENT :** Ce produit fait partie d'un dispositif de sécurité ou d'un système antichute. L'utilisateur doit lire et comprendre les instructions de Protecta pour chaque composant ou pièce du système intégral. Ces instructions doivent être transmises à l'utilisateur de cet équipement. L'utilisateur doit lire et comprendre ces instructions ou demander des explications avant d'utiliser cet équipement. Les instructions de Protecta doivent être respectées pour utiliser, inspecter et entretenir correctement ce produit. La modification ou la négligence dans l'utilisation de cet équipement, ou le défaut de respecter les directives peut entraîner de graves blessures, voire la mort.

**IMPORTANT :** Si vous avez quelque question que ce soit concernant l'utilisation, l'entretien de cet équipement ou sa pertinence pour l'usage que vous souhaitez en faire, veuillez prendre contact avec Capital Safety immédiatement. (Voir au verso pour savoir comment communiquer avec nous.)

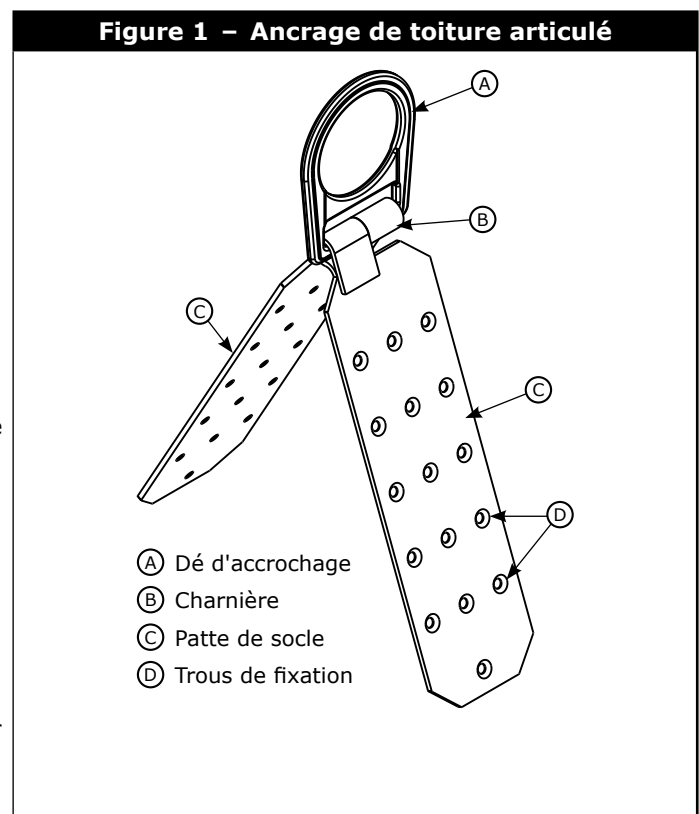
**1.0 APPLICATION**

**1.1 OBJECTIF :** L'ancrage de toiture articulé est à utiliser pour installer temporairement (il n'est pas destiné à une installation permanente) un connecteur d'ancrage sur des structures en bois. Il ne doit pas être utilisé comme un dispositif installé de façon permanente. Ce connecteur d'ancrage peut faire partie intégrante d'un système de retenue ou antichute personnel. Ne fixez pas de ligne de vie entre deux ou plusieurs ancrages de toiture articulés (c.-à-d. système de ligne de vie horizontale). Veuillez à ne pas suspendre, supporter ou soulever des outils ou des équipements par cet ancrage de toiture articulé. Veuillez également à ne pas y attacher de haubans pour antenne, câble téléphonique, etc.

- A. APPLICATION ANTICHUTE :** Dans cette application, l'ancrage de toiture articulé est utilisé comme composant d'un dispositif antichute complet. De tels systèmes incluent généralement un harnais de sécurité complet et une sorte de sous-système de connexion, telle qu'une longe pour absorber l'énergie. La chute libre maximale permise est de 6 pieds (1,8 m). Ce type de système est utilisé dans les cas possibles de chute libre, avant que la chute ne soit arrêtée.
- B. APPLICATION DE RETENUE :** Dans cette application, l'ancrage de toiture articulé est utilisé comme une partie d'un système de retenue complet. De tels systèmes incluent généralement un harnais de sécurité complet et une longe amortissante ou de retenue permettant de retenir ou d'empêcher l'utilisateur d'être exposé à un risque de chute (p. ex., dans les travaux sur les bordures de toiture). Ce type de système est utilisé dans les cas où toute chute libre verticale est impossible.

**2.0 FORMATION**

**2.1 FORMATION :** L'utilisateur est tenu de se familiariser avec les instructions et de suivre une formation pour entretenir et utiliser correctement cet équipement. L'utilisateur devra connaître les caractéristiques de fonctionnement, les limites d'application et les conséquences d'une mauvaise utilisation de cet équipement. Ce guide d'utilisation ne peut se substituer à un programme de formation complet. Cette formation doit être menée à intervalles réguliers afin de garantir la compétence des utilisateurs.



**AVERTISSEMENT :** La formation doit être exécutée sans exposer l'utilisateur en formation à un danger de chute. La formation doit être répétée régulièrement.

### 3.0 LIMITES ET PRÉCAUTIONS CONCERNANT LE SYSTÈME

**3.1 LIMITES :** Avant d'installer ou d'utiliser cet équipement, il est important de toujours tenir compte des limites et exigences suivantes.

- A. STRUCTURE DE LA TOITURE :** Le connecteur d'ancrage est conçu pour être installé sur des structures en bois ou sur des revêtements en acier pouvant répondre aux exigences en matière de résistance d'ancrage, indiquées dans la section 3.8. Consultez Capital Safety avant d'utiliser ces ancrages de toiture articulés sur tout autre matériau de toiture.
- B. CAPACITÉ :** Cet équipement est conçu pour être utilisé par des personnes dont le poids combiné (personne, vêtements, outils, etc.) ne dépasse pas 141 kg (310 lb).

**REMARQUE :** *Un seul système de protection personnelle peut être raccordé à l'ancrage de toiture articulé à la fois.*

- C. ÉQUIPEMENT DE PROTECTION INDIVIDUELLE (EPI) ANTICHUTE :** Les EPI sélectionnés pour être utilisés avec cet ancrage de toiture articulé doivent être conformes aux critères de performances du système et autres critères stipulés à la section 3.2.
- D. CHUTE LIBRE :** Les EPI utilisés avec ces ancrages de toiture articulés doivent être fixés de manière à limiter les chutes libres à un maximum de 1,8 m (6 pi), conformément à la norme ANSI Z359.1. Référez-vous aux instructions de Protecta du sous-système de connexion pour de plus amples informations sur la distance d'arrêt.
- E. DISTANCE D'ARRÊT :** Assurez-vous que la distance d'arrêt permet d'éviter tout contact avec un objet. La distance d'arrêt requise dépend de l'emplacement de l'ancrage et de l'allongement de la ligne de vie, ainsi que de la distance de chute libre et de la distance de décélération. Référez-vous aux instructions associées de Protecta du sous-système de connexion et à la section 3.4 pour de plus amples informations sur l'estimation de la distance d'arrêt.
- F. SYSTÈMES DE RETENUE :** Les systèmes de retenue choisis pour une utilisation avec cet ancrage de toiture articulé doivent répondre aux exigences locales et fédérales réglementaires applicables pour l'utilisation de cet équipement. Reportez-vous à la section 3.2.
- G. CORROSION :** Ne laissez pas cet équipement pendant de longues périodes dans des environnements où des vapeurs dégagées par des substances organiques entraînent la corrosion des pièces métalliques. Les stations d'épuration et les usines d'engrais, par exemple, créent des concentrations élevées d'ammoniac. Toute utilisation près de l'eau de mer ou d'un autre environnement corrosif peut exiger des inspections ou des services afin de veiller à ce que les dommages de corrosion n'affectent pas la performance du produit.
- H. DANGERS CHIMIQUES :** Les solutions contenant des acides, de l'alcali ou d'autres produits chimiques caustiques, plus particulièrement à des températures élevées, peuvent endommager cet équipement. Lors de travaux exécutés avec de tels produits chimiques, cet équipement doit être fréquemment inspecté. Consultez Capital Safety en cas de doute sur l'utilisation de cet équipement en présence de dangers chimiques.
- I. DANGERS ENVIRONNEMENTAUX :** L'utilisation de cet équipement en présence de dangers environnementaux peut nécessiter des précautions supplémentaires afin d'éviter que l'utilisateur ne se blesse ou que l'équipement ne subisse des dommages. Ces dangers peuvent inclure, notamment, la chaleur, les produits chimiques, les environnements corrosifs, les gaz, la machinerie en déplacement, ainsi que les bords tranchants. Veuillez communiquer avec Capital Safety pour toute question relative à l'utilisation de cet équipement dans des endroits où il existe un risque de dangers environnementaux.
- J. DANGERS ÉLECTRIQUES :** N'installez pas ces ancrages de toiture articulés à un endroit où ceux-ci ou l'utilisateur risqueraient d'entrer en contact avec des lignes électriques.

**3.2 EXIGENCES DU SYSTÈME :** Reportez-vous aux normes ANSI Z359.1 et OSHA et aux exigences locales et fédérales qui régissent cet équipement pour de plus amples renseignements.

**3.3 PLAN DE SAUVETAGE :** Avant d'utiliser cet équipement, l'employeur doit avoir un plan de sauvetage et les moyens de le mettre en œuvre. Le plan doit également être communiqué aux utilisateurs du plan aussi bien qu'au personnel autorisé.

#### 3.4 PRÉCAUTIONS :

**AVERTISSEMENT :** Ne modifiez pas cet équipement, et n'en faites pas non plus un usage abusif. Consultez Capital Safety lorsque cet équipement est utilisé avec des composants ou des sous-systèmes autres que ceux décrits dans ce manuel. Certaines combinaisons de sous-systèmes et de composants peuvent gêner le fonctionnement de cet équipement. Soyez prudent lorsque vous utilisez cet équipement à proximité de machinerie en déplacement, de risques électriques, de risques chimiques ou d'arêtes tranchantes.

**AVERTISSEMENT :** N'utilisez pas cet équipement si votre condition physique ne vous permet pas de résister aux forces d'arrêt de chute. L'âge et la condition physique affectent sérieusement la capacité d'un ouvrier à résister aux chutes. Les femmes enceintes et les personnes mineures ne doivent pas utiliser cet équipement.

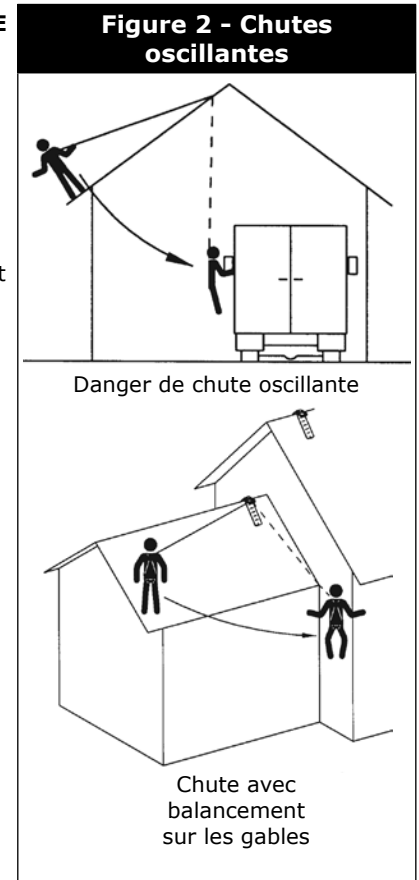
**REMARQUE :** *L'ancrage de toiture articulé est conçu comme un ancrage à utilisation multiple. De nouvelles fixations doivent être utilisées pour chaque réinstallation.*

**AVANT CHAQUE UTILISATION** de cet équipement, inspectez-le soigneusement pour garantir qu'il est en bon état de fonctionnement. Pour obtenir de plus amples informations au sujet de l'inspection, consultez la Section 5. Si une inspection révèle un état non sécuritaire, n'utilisez pas cet équipement.

**PLANIFIEZ** l'installation de votre système antichute ou dispositif de retenue avant de commencer votre travail. Considérez tous les facteurs qui affectent la sécurité avant, pendant et après une chute. Reportez-vous à ces derniers et aux instructions relatives aux composants des sous-systèmes ainsi qu'à la réglementation de sécurité étatique et fédérale pour obtenir des conseils quant à la planification de votre système. La liste suivante souligne les points importants à prendre en compte durant la planification de votre système :

- A. POINT D'ANCRAGE DE TOITURE ARTICULÉ :** Le point d'ancrage de toiture articulé doit être minutieusement choisi afin de réduire tout danger potentiel de chute libre ou de chute oscillante, et éviter toute collision avec un objet lors de la chute. Pour les dispositifs antichute, la norme OSHA exige que l'ancrage soit indépendant des moyens de suspendre ou de soutenir l'utilisateur. Pour les dispositifs de sécurité, l'ancrage doit être situé de sorte à rendre impossible toute chute libre. L'installation de l'ancrage de toiture articulé est couverte à la section 4 de ce manuel.

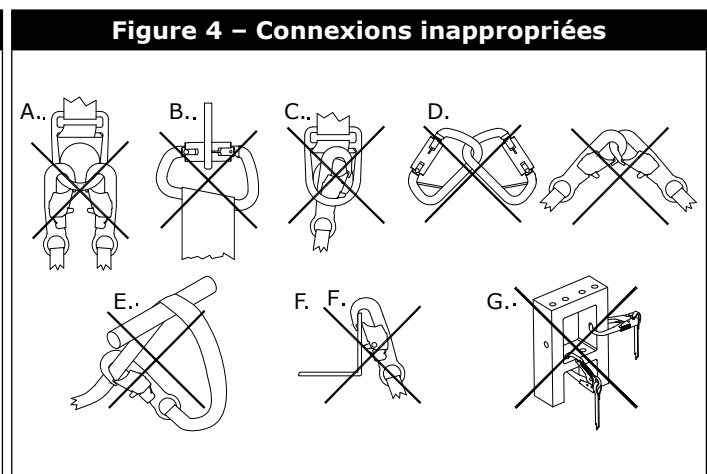
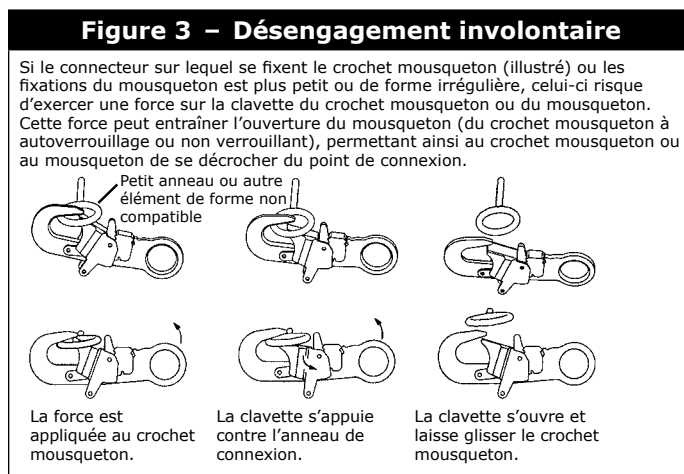
- B. CHUTE LIBRE :** Pour éviter toute augmentation de distance de chute, ne travaillez pas au-dessus du niveau du point d'ancrage de toiture articulé. Les dispositifs antichute individuels doivent être fixés pour limiter la hauteur de chute à 1,80 m (6 pi). Les dispositifs de sécurité doivent être fixés de manière à rendre impossible toute chute libre.
- C. EXIGENCES POUR LES ÉQUIPEMENTS DE PROTECTION INDIVIDUELLE ANTICHUTE :** Les EPI antichute utilisés avec cet ancrage de toiture doivent être conformes aux exigences locales et fédérales, ainsi qu'aux exigences OSHA et ANSI. Les EPI incluant un harnais de sécurité intégral doivent pouvoir arrêter la chute d'un ouvrier avec une force d'arrêt maximale inférieure à 1 800 livres et limiter la hauteur de chute libre à 1,80 m (6 pi) au maximum. La distance de freinage d'un EPI doit être au maximum de 1,1 m (42 po). Reportez-vous aux exigences ANSI Z359.1 et OSHA.
- D. CHUTES OSCILLANTES :** Les chutes oscillantes se produisent lorsque le point d'ancrage ne se trouve pas juste au-dessus du point de départ de la chute. La force d'impact sur un objet lors d'une chute avec balancement peut entraîner de graves blessures. Vous pouvez réduire les chutes oscillantes en travaillant le plus possible en dessous du point d'ancrage. Voir la Figure 2.
- E. DISTANCE D'ARRÊT :** En cas de chute, le dégagement doit être suffisant pour arrêter la chute avant que l'utilisateur entre en contact avec le sol ou avec d'autres objets. Le dégagement requis dépend du sous-système de connexion antichute utilisé (longue pour absorber l'énergie, ligne de vie autorétractable, etc.). Référez-vous aux instructions de Protecta pour de plus amples informations sur la distance d'arrêt.
- F. BORDS TRANCHANTS :** Ne travaillez pas dans des endroits où le sous-système de connexion (tel que la corde amortissante, la corde d'assurance autorétractable, le harnais complet, etc.) ou tout autre composant sera en contact avec ou frottera contre des bords tranchants non protégés. N'enroulez pas la longe autour de petites structures avec un faible diamètre. Si l'utilisation de cet équipement près de rebords tranchants est inévitable, vous devez fournir une protection contre le sectionnement en plaçant un matériau matelassé ou en utilisant un autre moyen de protection sur les rebords tranchants exposés.
- G. APRÈS UNE CHUTE :** Les composants qui ont été soumis à des forces d'arrêt d'une chute doivent être retirés du service et détruits.
- H. CONSIDÉRATIONS D'USAGE GÉNÉRAL :** Évitez de travailler dans les endroits où une ligne de vie connectée risque de croiser ou de s'emmêler avec celle d'un autre ouvrier. Évitez de faire passer la longe connectée sous les bras ou entre les jambes.



**3.5 COMPATIBILITÉ DES COMPOSANTS :** L'équipement Capital Safety est destiné à être utilisé uniquement avec des composants et des sous-systèmes agréés par Capital Safety. Les substitutions ou les remplacements effectués avec des composants ou des sous-systèmes non approuvés peuvent affecter la compatibilité de l'équipement ainsi que la sécurité et la fiabilité du système dans son ensemble.

**3.6 COMPATIBILITÉ DES CONNECTEURS :** Les connecteurs sont considérés comme compatibles avec d'autres éléments de connexion lorsqu'ils ont été conçus pour être utilisés ensemble et de manière à ce que leur taille et leur forme ne provoquent pas l'ouverture accidentelle de mécanismes de verrouillage, quelle que soit leur orientation. Consultez Capital Safety pour toute question sur la compatibilité.

Les connecteurs (crochets, mousquetons et dés d'accrochage) doivent pouvoir supporter une charge minimale de 5 000 lb (22,2 kN). Les connecteurs doivent être compatibles avec le système d'ancrage et toute autre pièce du système. N'utilisez aucun équipement non compatible. Les connecteurs incompatibles risquent à tout moment de lâcher. Voir la figure 3. La taille, la forme et la résistance des connecteurs doivent être compatibles.



**3.7 CONNEXIONS :** Utilisez uniquement des crochets mousquetons à verrouillage automatique et des mousquetons avec cet équipement. Utilisez uniquement des connecteurs adaptés à chaque usage. Assurez-vous que tous les connecteurs sont compatibles en taille, en forme et en résistance. N'utilisez aucun équipement non compatible. Assurez-vous que tous les connecteurs sont complètement fermés et verrouillés.

Les connecteurs Capital Safety (crochets mousquetons et mousquetons) sont conçus pour être utilisés uniquement selon les directives d'utilisation propres à chacun des produits. Voir la Figure 4 pour les connexions inappropriées. Les crochets standard et les mousquetons Capital Safety ne doivent pas être connectés :

- A. À un dé d'accrochage auquel est fixé un autre connecteur.
- B. D'une façon à imposer une charge sur la clavette.

**MISE EN GARDE :** Les crochets mousquetons à ouverture large ne doivent pas être connectés à des dés d'accrochage de taille standard ou des objets semblables qui pourraient entraîner une charge sur la clavette si le crochet ou le dé d'accrochage se tordait ou pivotait. Les crochets mousquetons à ouverture large sont conçus pour être utilisés sur des éléments structuraux fixes, tels que des barres d'armature ou des traverses dont les formes ne peuvent pas accrocher la clavette du crochet.

- C. Dans un faux raccord où des éléments rattachés au crochet standard ou au mousqueton s'accrochent dans l'ancrage et, sans une confirmation visuelle, semblent complètement attachés au point d'ancrage.
- D. Entre eux.
- E. Directement à la sangle ou à la longe ou l'ancrage sous tension (à moins que les instructions du fabricant de la longe et du connecteur n'autorisent une connexion de ce type).
- F. À un objet dont la forme ou la dimension empêche la fermeture et le verrouillage du crochet standard ou mousqueton, ou provoque leur décrochage.
- G. De manière ne permettant pas au connecteur de s'aligner correctement pendant qu'il est sous tension.

**3.8 RÉSISTANCE DE L'ANCRAGE :** En fonction de l'application, le point d'ancrage auquel l'ancrage de toiture articulé sera attaché doit pouvoir supporter les forces minimales données ci-dessous :

**ANTICHUTE :** Les ancrages de toiture articulés installés pour des applications antichute doivent être fixés à une pièce de charpente de la toiture capable de soutenir des charges statiques dans la ou les direction(s) autorisée(s) par le système EPI en cours d'utilisation d'au moins : (A) 3 600 lb (16 kN) avec certification (référez-vous à la norme ANSI Z359.1 pour les exigences de certification), ou (B) 5 000 lb (22,2 kN) lorsqu'il n'y a pas de certification. Référez-vous à la Figure 7 pour les limites de direction de charge de l'ancrage de toiture articulé. Si l'on souhaite installer plusieurs ancrages de toiture articulés sur une structure du toit, les forces indiquées aux points (A) ou (B) ci-dessus doivent être respectées à chacun des points d'ancrage de toiture articulé indépendamment l'un de l'autre. EXEMPLE : Si deux ancrages de toiture articulés sont installés sur une structure du toit, chaque point d'ancrage doit être indépendamment capable de soutenir 5 000 lb (22,2 kN) (ou 3 600 lb [16 kN] avec certification).

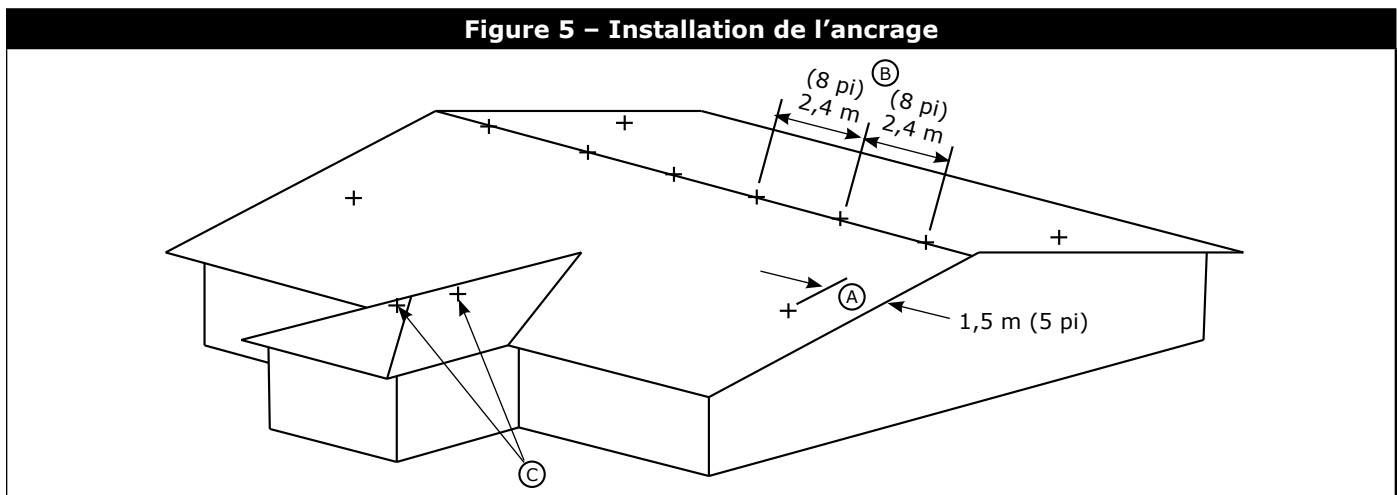
**EN VERTU DE LA NORME OSHA 1926.500 ET 1910.66 :** Les ancrages utilisés pour la fixation d'un dispositif antichute personnel doivent être indépendants de tout ancrage utilisé pour soutenir ou suspendre les plateformes et doivent pouvoir supporter au moins 5 000 lb (22,2 kN) par utilisateur raccordé; ou être conçus, installés et utilisés comme composants d'un dispositif antichute personnel complet dont le facteur minimal de sécurité est de deux et qui est supervisé par une personne qualifiée.

**RETENUE :** Les ancrages de toiture articulés installés pour des applications de retenue doivent être fixés à une pièce de charpente de la toiture capable de soutenir des charges statiques d'au moins 3 000 lb (1 360 kg) appliquées dans les directions autorisées par le système de retenue en cours d'utilisation. Chaque installation d'ancrage de toiture articulé doit être indépendamment capable de soutenir cette charge.

## 4.0 INSTALLATION ET UTILISATION DE L'ANCRAGE DE TOITURE ARTICULÉ

### 4.1 PLANIFICATION DE PRÉ-INSTALLATION DE L'ANCRAGE DE TOITURE ARTICULÉ.

- A. **PLAN DES LIEUX D'INSTALLATION DE L'ANCRAGE DE TOITURE ARTICULÉ :** Avant de commencer la construction de la toiture, un plan devrait être tracé pour établir les endroits d'installation des ancrages de toiture articulés, et informer les travailleurs du moment à partir duquel ils pourront être utilisés. Voici les directives pour placer les ancrages de toiture articulés (voir la figure 5) :



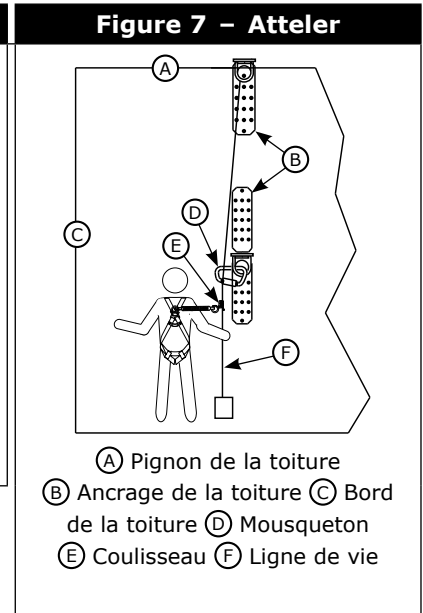
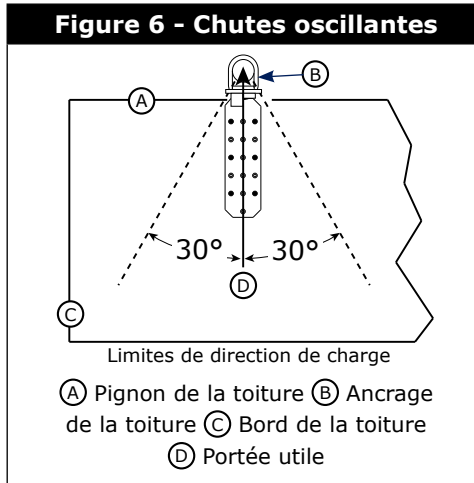
- L'ancrage de toiture articulé devrait être situé à la hauteur du faîte de toit (si possible) et à une distance minimale de 1,5 m (5 pi) (A) de tout bord de toiture exposé. Sur les zones de toit très petites, placez l'ancrage de toiture articulé aussi loin que possible du bord du toit. D'autres ancrages de toiture articulés peuvent être installés le long du faîte de toit, au besoin.
- Les ancrages de toiture articulés doivent uniquement être utilisés sur des structures pouvant soutenir les charges exercées dans toutes les directions autorisées par le dispositif antichute. Consultez la section 3.8 pour connaître les exigences de puissance d'ancrage. N'installez pas les ancrages de toiture articulés sur les structures de toit non soutenues, telles que les avant-toits et les surplombs de pignon. N'installez pas les ancrages de toiture articulés sur les planches de bordure.

- L'ancrage de toiture articulé doit uniquement être installé dans des lieux qui permettent à l'ouvrier de se trouver à moins de 30 degrés de l'ancrage en cours d'utilisation si une chute se produit. Voir la Figure 6.
- Les ancrages de toiture articulés devraient être installés à intervalles de 2,4 m (8 pi) le long de la crête du toit (B). Les toitures en croupe nécessitent un ancrage de toiture articulé sur chaque face de croupe (C).
- Sur les longues toitures à pente douce, de multiples ancrages de toiture articulés devraient être installés le long des pignons à 1,5 m (5 pi) du rebord, pour réduire les risques de chute oscillante.

**B. CHUTES OSCILLANTES :** Les chutes oscillantes (aussi décrites à la section 3.4) se produisent lorsque le point d'ancrage ne se trouve pas juste au-dessus du point de départ de la chute. La force d'impact sur un objet lors d'une chute avec balancement peut entraîner de graves blessures. Le travailleur doit se trouver à moins de 30 degrés de l'ancrage de toiture articulé (Voir la Figure 6).

La ligne de vie du système peut être attelée à un point d'ancrage situé près de la zone de travail au moyen d'un mousqueton et d'un deuxième ancrage de toiture articulé (voir la figure 7, D).

**C. CHARPENTE DE TOITURE :** Les pièces de charpente de toiture auxquelles l'ancrage de toiture articulé sera fixé doivent être en bon état. Ces pièces doivent être sans failles ou fissures, nœuds de grande taille ou autres défauts qui pourraient les fragiliser. Ne fixez pas l'ancrage de toiture articulé sur du bois pourri ou détérioré.



#### 4.2 INSTALLATION DE L'ANCRAGE DE TOITURE ARTICULÉ

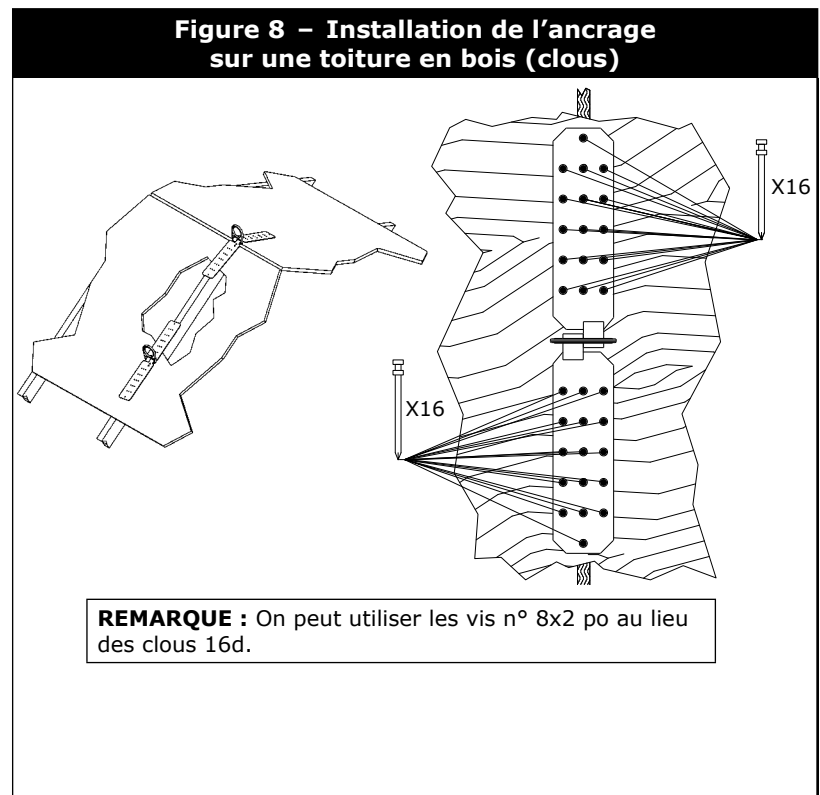
**A. FIXATIONS :** L'ancrage de toiture articulé peut être fixé au toit au moyen d'un minimum de 32 vis n° 8x2 po ou de 32 clous de tête double 16d de 3 po pour la fixation dans le bois. Les fixations dans la rangée centrale doivent être installées dans le chevron de toit. Utilisez tous les trous pratiqués au moment de fixer l'ancrage de toiture articulé à la structure de bois.

Pour des applications sur une toiture en acier ou sur un revêtement métallique, utilisez 12 vis à tôle n° 12. Ces vis à tôle doivent être suffisamment longues pour pénétrer le revêtement métallique et traverser la panne en Z.

**B.** Les ancrages de toiture articulés doivent être installés en suivant le plan d'installation traité à la section 4.1. Les règles de travail sur le site doivent être respectées concernant le moment d'utilisation d'un ancrage de toiture articulé installé (c.-à-d. après la pose du revêtement).

##### FIXATION DE L'ANCRAGE DE TOITURE ARTICULÉ :

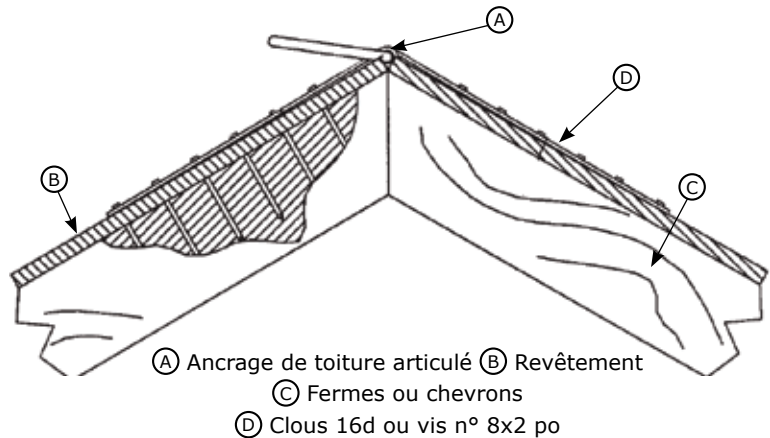
(Voir les figures 8 et 9.) Écartez les pattes de la base d'ancrage de toiture articulé en fonction de la surface sur laquelle elles seront montées, un faite de toit ou une surface plate. Positionnez l'ancrage sur la toiture de sorte que les 12 trous pratiqués le long du centre des pattes dépassent une pièce de charpente. Ensuite, enfoncez l'ancrage de toiture afin de réduire tout écart entre l'ancrage et le revêtement et fixez avec des vis ou des clous. Utilisez uniquement 32 vis n° 8x2 po ou 32 clous de tête double 16d de 3 po pour installer l'ancrage sur la toiture en bois. Les 12 fixations dans la rangée centrale doivent être installées dans le chevron de toit. Les 20 fixations restantes doivent être installées dans le revêtement. Utilisez tous les trous pratiqués au moment de fixer l'ancrage de toiture articulé à la structure de bois. Consultez la section 5.0 concernant l'inspection avant utilisation.



**AVERTISSEMENT :** L'ancrage de toiture articulé doit être positionné au-dessus du revêtement de toiture précédemment fixé (ne le fixez pas directement sur une pièce de charpente avec fermes et chevrons). Les 32 fixations doivent être installées. Si l'ancrage de toiture articulé n'est pas correctement installé, la charge nominale d'installation de l'ancrage ne sera pas respectée, et de graves blessures, voire la mort peuvent se produire.

**AVERTISSEMENT :** Utilisez seulement des vis neuves ou des clous 16d. Les clous doivent être dotés d'une tête complète. N'utilisez pas les clous provenant de pistolets à clous. Ne fixez jamais l'ancrage de toiture articulé si les pattes sont encore ensemble (elles doivent être écartées).

**Figure 9 – Installation de l'ancrage de toiture articulé sur une toiture en bois**



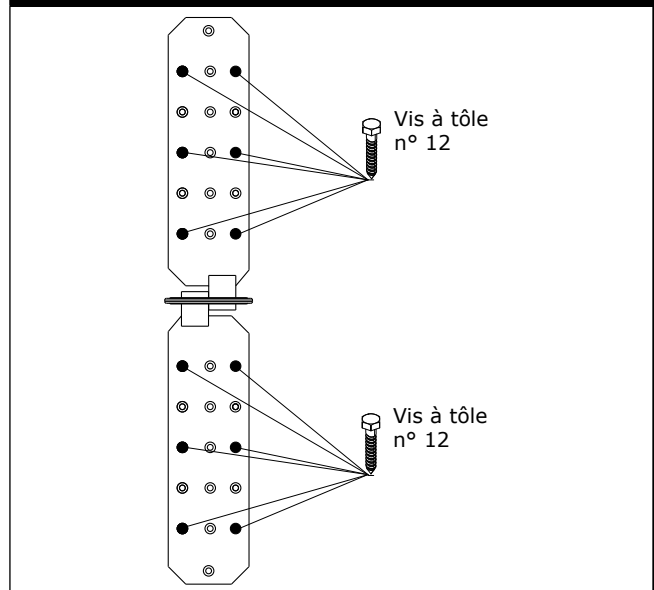
**C. INSTALLATION SUR REVÊTEMENT EN ACIER :**

(Voir Figure 10) Cet ancrage peut être installé sur un revêtement en acier avec une épaisseur de matériel de calibre 22 au moins (0,030 po) sur des pannes en Z avec une épaisseur de matériel de calibre 16 au moins (0,064 po). Douze vis Teks n° 12 sont nécessaires pour fixer l'ancrage. Les vis doivent être suffisamment longues afin qu'au moins cinq fils soient disponibles au-delà du bas de la panne. Les vis doivent être placées comme indiqué dans la Figure 11. **Chaque vis doit pénétrer dans la panne en Z.** L'ancrage doit reposer à plat sur le platelage en tôle.

**D. DÉSASSEMBLAGE DE L'ANCRAGE DE TOITURE ARTICULÉ :**

**DÉSASSEMBLAGE DE L'ANCRAGE DE TOITURE ARTICULÉ :** Désassemblez l'ancrage de toiture articulé avant de poser le bardage sur l'aire autour de l'ancrage. Pour le désassembler, soulevez l'ancrage de la toiture. Si les ancrages sont vissés, retirez les vis avant de soulever l'ancrage de toiture. Après le désassemblage de l'ancrage, la surface peut nécessiter des réparations. Il incombe à l'installateur de réaliser les réparations qui s'imposent aux matériaux de la toiture.

**Figure 10 – Installation sur une toiture en acier**



**REMARQUE :** L'ancrage de toiture articulé est conçu comme un ancrage à utilisation multiple. De nouvelles fixations doivent être utilisées pour chaque réinstallation.

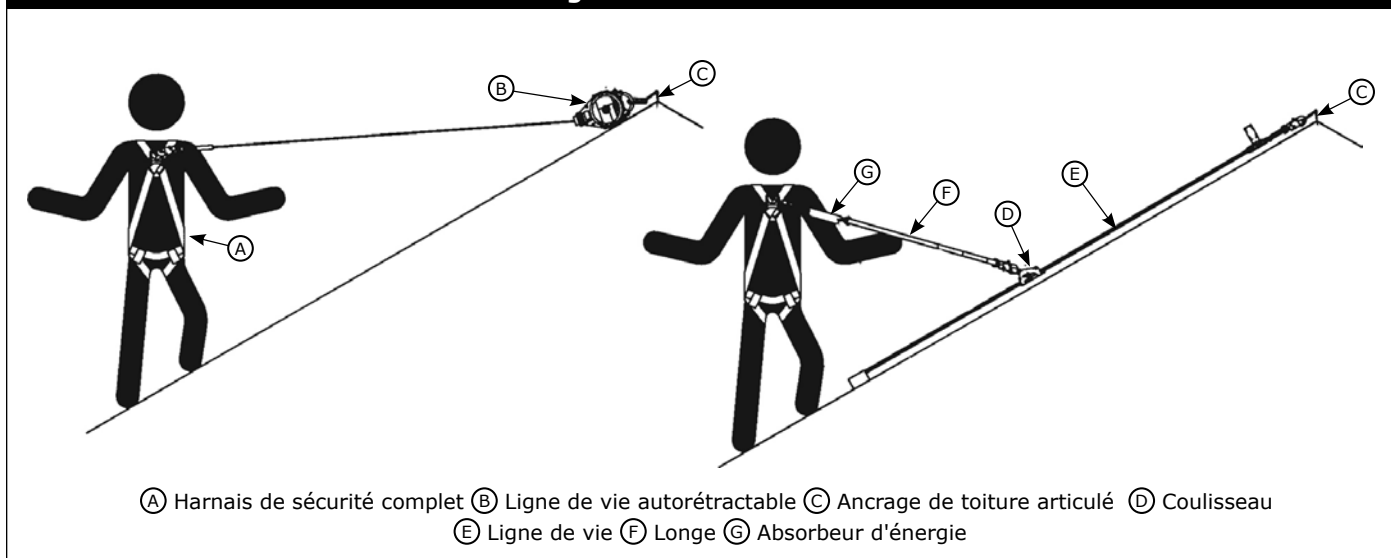
**4.3 CONNEXION À L'ANCRAGE DE TOITURE ARTICULÉ INSTALLÉ :** (Voir la Figure 11) La connexion à un ancrage de toiture articulé installé peut être effectuée uniquement à l'aide d'un crochet standard ou d'un mousqueton à verrouillage et fermeture automatique. Ne faites pas de nœud pour connecter une ligne de vie à l'ancrage de toiture articulé. Ne passez pas la longe ou la ligne de vie à travers le dé d'accrochage du connecteur d'ancrage de toiture articulé avant de l'attacher. Lors du raccordement, assurez-vous que les raccords sont complètement fermés et verrouillés. La Figure 11 montre la connexion correcte d'un équipement antichute ou de retenue type à l'ancrage de toiture articulé. Lorsque vous utilisez une longe pour absorber l'énergie, connectez l'extrémité de l'équipement amortisseur au harnais. Lorsque vous utilisez une ligne de vie autorétractable, assurez-vous qu'elle est bien positionnée et n'empêche pas la rétraction. Protégez toujours la corde d'assurance des rebords tranchants ou de toute surface abrasive de la toiture. Assurez-vous que toutes les connexions sont compatibles en termes de taille, de forme et de résistance. Connectez toujours un seul système de protection personnelle antichute à la fois à un seul ancrage de toiture articulé.

**AVERTISSEMENT :** Veuillez lire et respecter les instructions du fabricant pour tout équipement auxiliaire (tel que le harnais complet, la corde d'amortissage, la corde d'assurance autorétractable, etc.) utilisé dans votre dispositif antichute personnel.

**AVERTISSEMENT :** Pour les versions spéciales (personnalisées) de ce produit, respectez les instructions stipulées dans la documentation. Si l'utilisation d'un produit personnalisé est faite, reportez-vous au supplément d'instructions à suivre en annexe.



Figure 11 – Connexions



## 5.0 INSPECTION

### 5.1 FRÉQUENCE :

- A. Avant chaque utilisation, inspectez visuellement l'équipement selon les étapes décrites à la Section 5.2.
- B. L'ancrage de toiture articulé doit être inspecté par une personne compétente<sup>1</sup> autre que l'utilisateur une fois par an minimum. Consultez les directives dans la section 5.2. Enregistrez les résultats de chaque inspection formelle dans le *journal d'inspection et d'entretien* de ce manuel. REMARQUE : La réglementation Cal/OSHA exige que les systèmes antichute personnels soient inspectés avant chaque utilisation et au moins deux fois par an par une personne compétente afin d'en estimer le degré d'usure et la présence de dommages et de défauts, conformément aux recommandations du fabricant, en indiquant les dates d'inspection.

**IMPORTANT :** Si l'équipement est soumis à des forces résultant d'un arrêt de chute, il doit être immédiatement mis hors service et détruit. L'ancrage de toiture articulé ne peut pas être réparé. Pour de plus amples informations au sujet de l'inspection, consultez la section 5.2.

### 5.2 ÉTAPES DE L'INSPECTION :

- Étape 1.** Inspectez l'ancrage de toiture articulé pour détecter tout dommage physique. Vérifiez soigneusement tout signe de fissures, de chocs ou de déformations sur les pièces métalliques. Vérifiez qu'il n'y a pas de courbures : les pattes de l'ancrage de toiture articulé doivent être plates. Il ne doit y avoir aucune fissure sur les soudures.
- Étape 2.** Inspectez l'ancrage de toiture articulé pour vous assurer qu'il est exempt de corrosion excessive.
- Étape 3.** Assurez-vous que la condition de l'ancrage de toiture articulé lui permettra de supporter les charges indiquées à la section 3.8. Vous ne devez jamais utiliser un ancrage de toiture articulé fixé sur du bois pourri ou détérioré.
- Étape 4.** Assurez-vous que l'ancrage de toiture articulé est toujours solidement fixé. Si l'ancrage de toiture articulé n'est pas bien fixé, ne l'utilisez pas.
- Étape 5.** Toutes les étiquettes doivent être présentes et clairement lisibles. Consultez la section 8.
- Étape 6.** Si l'inspection révèle un état défectueux, retirez immédiatement l'ancrage de toiture articulé du service et détruisez-le. L'ancrage de toiture articulé ne peut pas être réparé.
- Étape 7.** Enregistrez la date de l'inspection et les résultats dans le *journal d'inspection et d'entretien* de ce manuel.

## 6.0 SPÉCIFICATIONS

**Matériau :** Dé d'accrochage en alliage forgé et base en acier de 1/8 po d'épaisseur.

**Force de rupture minimale :** 5 000 lb une fois installé d'après les instructions et comme indiqué dans la section 4, Figure 7. Portée utile de 30 degrés.

**Poids :** 0,8 kg (1,8 lb)

**Taille :** 5/8 po x 4 po x 17 po

**Capacité :** Capacité de 310 lb (une personne)

**Normes :** ANSI Z359.1 et OSHA

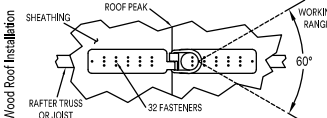
## 7.0 NETTOYAGE ET ENTRETIEN

Aucun entretien planifié n'est requis.

**1 Personne compétente :** individu connaissant les instructions du fabricant et les pièces d'un équipement, capable d'identifier les dangers existants et prévisibles dans le cadre de la sélection, de l'utilisation et de l'entretien d'équipement de protection antichute.

## 8.0 ÉTIQUETTES

8.1 Cette étiquette de l'ancrage de toiture articulé doit être présente et entièrement lisible :

<p><b>3M</b>   <b>PROTECTA</b> <b>Fall Protection</b></p> <p>Model: 2104000 Anchorage Connector Standards: OSHA 1910.66, 1926.502; ANSI Z359.1-2007 ANSI Capacity: 1 person, 310 lbs (141 kg) Minimum Breaking Strength: 5,000 lb Material: Zinc Plated Steel</p> <p><b>WARNING</b> Read instructions before use. Manufacturer's instructions supplied with this product at time of shipment must be followed for proper use, maintenance, and inspection.</p> <p>Failure to follow instructions may result in serious injury or death. Use only with ANSI/OSHA compliant personal fall arrest systems. Anchor must be properly installed to support required loads. Only make compatible connections. For temporary use only. Avoid contact with sharp edges and abrasive surfaces.</p> <p>See instructions for further details. Not intended as a permanently installed anchorage. Remove after use. Anchor must be removed and disposed of after a fall event. Do not remove label.</p> <p>3M.com/FallProtection <span style="float: right;">9513255 Rev. A</span></p>	<p><b>Inspection:</b> Inspect anchor before each use. In addition, a competent person must inspect at least annually. Do not use if inspection reveals an unsafe or defective condition. Do not remove this label.</p> <p><b>Installation -</b> Select an anchorage point that is rigid and capable of supporting the required loads. Each 2104000 Reusable Roof Anchor must be fastened to the wood roof structure using a minimum of 32 #8x2" screws or 32 16d 3" double head nails. Anchor must be placed over both plywood sheathing and roof truss. The 12 fasteners in the center row must be fastened into the roof rafter or truss.</p> <p>Use all Holes provided when securing the Reusable Roof Anchor to the wood structure. The Reusable Roof Anchor is Rated to ANSI Z359.1 when working within 60 degrees of the anchor. See figure below. For steel decking installation, anchor must be installed on steel decking with a minimum material thickness of 22 gauge (.030 inch) over steel Z-purlins with a minimum material thickness of 16 gauge (.064 inch).</p> <p>Anchor must be installed with a minimum of (12) #12 Tek's sheet metal screws with a sufficient length to penetrate both the steel decking and the Z-purlin and have 5 threads be exposed beyond the bottom of the Z-purlin. Every screw must penetrate the Z-purlin. See instructions for more details and installation requirements.</p>  <p>The diagram illustrates the installation of the anchor on a wood roof. It shows a cross-section of the roof with a central peak. The anchor is positioned over the peak, with 32 fasteners (12 in the center row) securing it to the structure. The roof consists of sheathing over a rafter/truss or joist. A 60-degree working range is indicated for the anchor's use.</p>
---	---



## GARANTIE LIMITÉE SUR LA DURÉE DE VIE

**Garantie offerte à l'utilisateur final** : D B Industries, LLC dba CAPITAL SAFETY USA (« CAPITAL SAFETY ») garantit à l'utilisateur final d'origine (« Utilisateur final ») que les produits sont libres de tout défaut matériel et de fabrication dans des conditions normales d'utilisation et de service. Cette garantie couvre toute la durée de vie du produit, de sa date d'achat à l'état neuf et inutilisé par l'utilisateur auprès d'un distributeur agréé CAPITAL SAFETY. La responsabilité intégrale de Capital Safety et le seul recours du Client dans le cadre de cette garantie se limitent à la réparation ou le remplacement en nature des produits défectueux pendant leur durée de vie (à la seule discrétion de Capital Safety et selon ce qu'elle juge approprié). Aucun renseignement ou avis oral ou écrit fourni par CAPITAL SAFETY, ses détaillants, administrateurs, cadres, distributeurs, mandataires ou employés ne représentera une garantie ou n'augmentera de quelque manière la portée de la présente garantie limitée. CAPITAL SAFETY n'accepte aucune responsabilité pour les défauts causés par un abus, une utilisation abusive, une altération ou une modification, ou pour les défauts causés par le non-respect des instructions du fabricant relatives à l'installation, à l'entretien ou à l'utilisation du produit.

CETTE GARANTIE CAPITAL SAFETY S'APPLIQUE UNIQUEMENT À L'UTILISATEUR FINAL. ELLE EST LA SEULE GARANTIE APPLICABLE À NOS PRODUITS. ELLE EXCLUT TOUTE AUTRE GARANTIE EXPRESSE OU IMPLICITE. CAPITAL SAFETY EXCLUT EXPLICITEMENT ET DÉCLINE TOUTE GARANTIE IMPLICITE DE MISE EN MARCHÉ ET D'ADAPTATION À DES FINS PARTICULIÈRES, ET NE SERA RESPONSABLE POUR AUCUN DOMMAGE-INTÉRÊT DIRECT OU INDIRECT, CORRÉLATIF OU ACCESSOIRE DE TOUTE NATURE Y COMPRIS ET DE MANIÈRE NON LIMITATIVE, LES PERTES DE PROFITS, LES REVENUS OU LA PRODUCTIVITÉ, LES BLESSURES CORPORELLES, VOIRE LA MORT OU DOMMAGES À LA PROPRIÉTÉ, DANS LE CADRE DE TOUTE THÉORIE DE RESPONSABILITÉ, Y COMPRIS ET DE MANIÈRE NON LIMITATIVE UN CONTRAT, UNE GARANTIE, UNE RESPONSABILITÉ (Y COMPRIS LA NÉGLIGENCE) OU TOUTE AUTRE THÉORIE LÉGALE OU ÉQUITABLE.



Fall Protection

### USA

3833 SALA Way  
Red Wing, MN 55066-5005  
Toll Free: 800.328.6146  
Phone: 651.388.8282  
Fax: 651.388.5065  
solutions@capitalsafety.com

### Brazil

Rua Anne Frank, 2621  
Boqueirão Curitiba PR  
81650-020  
Brazil  
Phone: 0800-942-2300  
brasil@capitalsafety.com

### Mexico

Calle Norte 35, 895-E  
Col. Industrial Vallejo  
C.P. 02300 Azcapotzalco  
Mexico D.F.  
Phone: (55) 57194820  
mexico@capitalsafety.com

### Colombia

Compañía Latinoamericana de Seguridad S.A.S.  
Carrera 106 #15-25 Interior 105 Manzana 15  
Zona Franca - Bogotá, Colombia  
Phone: 57 1 6014777  
servicioalcliente@capitalsafety.com

### Canada

260 Export Boulevard  
Mississauga, ON L5S 1Y9  
Phone: 905.795.9333  
Toll-Free: 800.387.7484  
Fax: 888.387.7484  
info.ca@capitalsafety.com

### EMEA (Europe, Middle East, Africa)

*EMEA Headquarters:*  
5a Merse Road  
North Moons Moat  
Redditch, Worcestershire  
B98 9HL UK  
Phone: + 44 (0)1527 548 000  
Fax: + 44 (0)1527 591 000  
csgne@capitalsafety.com

### France:

Le Broc Center  
Z.I. 1re Avenue - BP15  
06511 Carros Le Broc Cedex  
France  
Phone: + 33 04 97 10 00 10  
Fax: + 33 04 93 08 79 70  
information@capitalsafety.com

### Australia & New Zealand

95 Derby Street  
Silverwater  
Sydney NSW 2128  
Australia  
Phone: +(61) 2 8753 7600  
Toll-Free : 1800 245 002 (AUS)  
Toll-Free : 0800 212 505 (NZ)  
Fax: +(61) 2 8753 7603  
sales@capitalsafety.com.au

### Asia

#### Singapore:

69, Ubi Road 1, #05-20  
Oxley Bizhub  
Singapore 408731  
Phone: +65 - 65587758  
Fax: +65 - 65587058  
inquiry@capitalsafety.com

#### Shanghai:

Rm 1406, China Venturetech Plaza  
819 Nan Jing Xi Rd,  
Shanghai 200041, P R China  
Phone: +86 21 62539050  
Fax: +86 21 62539060  
inquiry@capitalsafety.cn

[www.capitalsafety.com](http://www.capitalsafety.com)



**MANUAL DE INSTRUCCIONES PARA EL USUARIO  
ANCLAJE ABISAGRADO DE TECHO**

**Fall Protection**

Este manual tiene por objeto cumplir las instrucciones del fabricante como lo exige la Administración de Salud y Seguridad ocupacional (Occupational Safety and Health Administration, OSHA) y debe usarse como parte de un programa de capacitación para empleados.

**DESCRIPCIÓN**

El anclaje abisagrado de techo Protecta (figura 1) consiste en un anillo en D forjado conectado a unas patas de base de acero abisagradas. Para instalar el anclaje abisagrado de techo se deben ajustar las patas de base a una estructura de techo. Luego de la instalación, se debe conectar un sistema personal de retención o de detención de caídas al anillo en D. Siga las siguientes instrucciones para la instalación y el uso del anclaje abisagrado de techo.

**ADVERTENCIA:** Este producto forma parte de un sistema de retención y detención de caídas. Los usuarios deben leer y comprender las instrucciones de Protecta al usar cada componente o pieza del sistema completo. Estas instrucciones deben entregarse a los usuarios de este equipo. Antes de utilizarlo, los usuarios deben leer y comprender estas instrucciones, o bien pedir que se las expliquen. Para el uso, cuidado y mantenimiento correcto de este producto, se deben seguir las instrucciones de Protecta. La modificación o el uso incorrecto de este producto, así como el incumplimiento de las instrucciones, pueden causar heridas graves o, incluso, la muerte.

**IMPORTANTE:** Ante cualquier consulta sobre el uso, cuidado o la compatibilidad de este equipo, comuníquese de inmediato con Capital Safety. (Vea la contratapa para obtener información de contacto.)

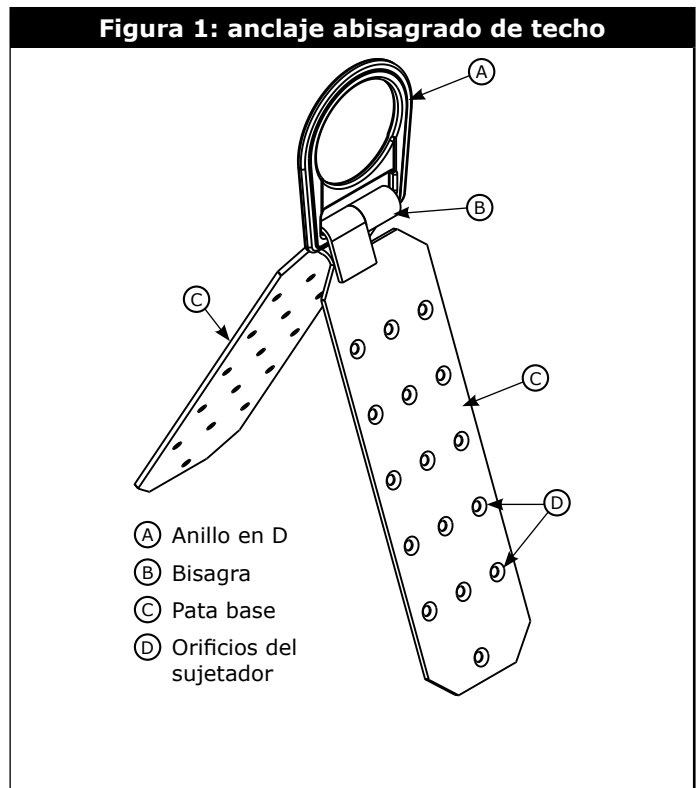
**1.0 APLICACIÓN**

**1.1 PROPÓSITO:** el anclaje abisagrado de techo está diseñado para usarse como conector de anclaje instalado temporalmente en estructuras de madera (no para una instalación permanente). No se debe utilizar como un dispositivo instalado de manera permanente. Este conector de anclaje puede usarse como parte de un sistema personal de detención de caídas o de retención. No conecte anticaídas entre dos o más anclajes abisagrados de techo (por ej., un sistema de anticaídas horizontales). No cuelgue, suspenda ni apoye herramientas o equipos desde el anclaje abisagrado de techo ni conecte vientos para antenas, líneas de teléfonos, etc.

- A. APLICACIÓN DE DETENCIÓN DE CAÍDAS:** en esta aplicación, el anclaje abisagrado de techo se utiliza como parte de un sistema completo de detención de caídas. Estos sistemas típicamente incluyen un arnés de cuerpo entero y alguna forma de subsistema de conexión, como una eslinga de amortiguación. La caída libre máxima permitida es de 6 pies (1,8 m). Este tipo de sistema se utiliza donde es posible que se produzca una caída libre antes de detener la caída.
- B. APLICACIÓN DE RETENCIÓN:** en esta aplicación, el anclaje abisagrado de techo se utiliza como parte de un sistema completo de retención. Estos sistemas típicamente incluyen un arnés de cuerpo entero y una eslinga o línea de sujeción que se utiliza para contener o sujetar al usuario para evitar un riesgo (por ej., en trabajos en bordes anteriores de techos). Este tipo de sistema se utiliza libre donde no es posible una caída vertical.

**2.0 CAPACITACIÓN**

**2.1 CAPACITACIÓN:** los usuarios tienen la responsabilidad de familiarizarse con estas instrucciones y de capacitarse en el cuidado y uso correcto de este equipo. Además, el usuario debe conocer las características operativas, los límites de la aplicación y las consecuencias de utilizar este equipo de forma incorrecta. El manual para el usuario no reemplaza a un programa exhaustivo de capacitación. Los usuarios deben recibir capacitación periódica para garantizar su pericia.



**ADVERTENCIA:** La capacitación se debe impartir sin exponer al aprendiz a un peligro de caída, y debe repetirse periódicamente.

### 3.0 PRECAUCIONES Y LIMITACIONES DEL SISTEMA

3.1 **LIMITACIONES:** tenga siempre en cuenta los siguientes requisitos y limitaciones cuando instale o utilice este equipo.

- A. **ESTRUCTURA DEL TECHO:** este conector de anclaje debe instalarse en estructuras de madera o de superficie de acero que cumplan con los requisitos de resistencia del anclaje que se indican en la sección 3.8. Antes de usar estos anclajes abisagrados de techo en cualquier otro material para techo, consulte con Capital Safety.
- B. **CAPACIDAD:** este equipo está diseñado para personas con un peso total combinado (es decir, incluyendo ropa, herramientas, etc.) que no superen los 141 kg (310 lb).

**NOTA:** Solo puede haber un sistema de protección personal conectado al anclaje abisagrado de techo en cualquier momento.

- C. **SISTEMA PERSONAL DE DETENCIÓN DE CAÍDAS (PFAS):** el PFAS seleccionado para utilizar con este anclaje abisagrado de techo debe cumplir con los requisitos de funcionamiento del sistema y demás criterios que se indican en la sección 3.2.
- D. **CAÍDA LIBRE:** los PFAS que se utilizan con el anclaje abisagrado de techo deben estar instalados de manera tal que limiten la caída libre a un máximo de 1,8 m (6 pies) (referencia ANSI Z359.1). Para obtener más información sobre la separación de caída consulte las instrucciones de Protecta para el sistema secundario de conexión.
- E. **ESPACIO LIBRE DE CAÍDA:** cerciórese de que haya suficiente espacio libre en la trayectoria de una posible caída para evitar golpes contra un objeto. El espacio de separación que se requiere depende de la ubicación del anclaje, la elongación del anticaídas, la distancia de caída libre y la distancia de desaceleración. Consulte las instrucciones de Protecta sobre el sistema secundario de conexión asociado y la sección 3.4 para obtener más información sobre la estimación de separación de caída.
- F. **SISTEMAS DE RETENCIÓN:** los sistemas de retención seleccionados para utilizar con este anclaje abisagrado de techo deben cumplir con los requisitos locales y federales vigentes que regulan el uso de dichos equipos. Consulte la sección 3.2.
- G. **CORROSIÓN:** no deje este equipo durante períodos prolongados en lugares donde las piezas metálicas puedan sufrir daños por corrosión como consecuencia de los vapores provenientes de materiales orgánicos. Los alcantarillados y las fábricas de fertilizantes, por ejemplo, contienen elevadas concentraciones de amoníaco. El uso del equipo cerca del agua de mar u otros medios corrosivos puede requerir inspecciones o revisiones de mantenimiento más frecuentes para que el daño por corrosión no afecte el desempeño del producto.
- H. **RIESGOS QUÍMICOS:** las soluciones ácidas, alcalinas u otras sustancias químicas cáusticas, especialmente a temperaturas elevadas, pueden dañar este equipo. Cuando se trabaje con estas sustancias químicas, se deben realizar inspecciones frecuentes de este equipo. Consulte a Capital Safety si tiene alguna duda concerniente a la utilización de este equipo en sitios donde haya sustancias químicas riesgosas.
- I. **RIESGOS AMBIENTALES:** el uso de este equipo en situaciones de riesgos ambientales puede requerir precauciones adicionales para evitar lesiones al usuario o daños al equipo. Los riesgos pueden incluir, entre otros: calor, sustancias químicas, ambientes corrosivos, gases, maquinaria en movimiento, vehículos en movimiento y bordes afilados. Póngase en contacto con Capital Safety si tiene alguna pregunta sobre el uso de este equipo en lugares donde puedan existir riesgos ambientales.
- J. **RIESGOS ELÉCTRICOS:** no instale anclajes abisagrados de techo donde estos, o el usuario, puedan entrar en contacto con líneas eléctricas.

3.2 **REQUISITOS DEL SISTEMA:** para obtener más información, consulte ANSI Z359.1, OSHA y los requisitos locales vigentes que regulan este equipo.

3.3 **PLAN DE RESCATE:** antes de utilizar este equipo, el empleador debe contar con un plan de rescate en práctica y con los medios para implementar el rescate. Este plan también debe ser comunicado a los usuarios del plan y al personal autorizado.

3.4 **PRECAUCIONES:**

**ADVERTENCIA:** No altere ni use incorrectamente este equipo de forma intencional. Comuníquese con Capital Safety si utiliza este equipo con componentes o sistemas secundarios que no sean los descritos en este manual. Algunas combinaciones de sistemas secundarios y componentes pueden interferir en el funcionamiento de este equipo. Tenga cuidado al usar este equipo en las proximidades de maquinaria en movimiento, riesgos de naturaleza eléctrica o química y bordes filosos.

**ADVERTENCIA:** No use este equipo si usted no es capaz de tolerar el impacto de una detención de caída. La edad y el estado de salud son factores importantes que afectan seriamente la capacidad de soportar una caída. Las mujeres embarazadas y los menores no deben utilizar este equipo.

**NOTA:** El anclaje abisagrado de techo está diseñado como un anclaje multiuso. Se deben usar sujetadores nuevos cada vez que se vuelva a instalar el anclaje.

**ANTES DE CADA USO** de este equipo, revíselo con cuidado para asegurarse de que esté en buenas condiciones. Vea en la sección 5 los detalles de la inspección. No lo utilice si la inspección revela condiciones inseguras.

**PLANIFIQUE** su sistema de detención de caídas o de retención antes de comenzar a trabajar. Considere todos los factores que afecten su seguridad antes, durante y después de una caída. Consulte estas instrucciones y las relacionadas con los componentes de los sistemas secundarios, además de los reglamentos de seguridad estatales y federales, a fin de obtener pautas para planificar su sistema. En la siguiente lista se señalan algunos aspectos importantes que debe tener en cuenta al planificar su sistema:

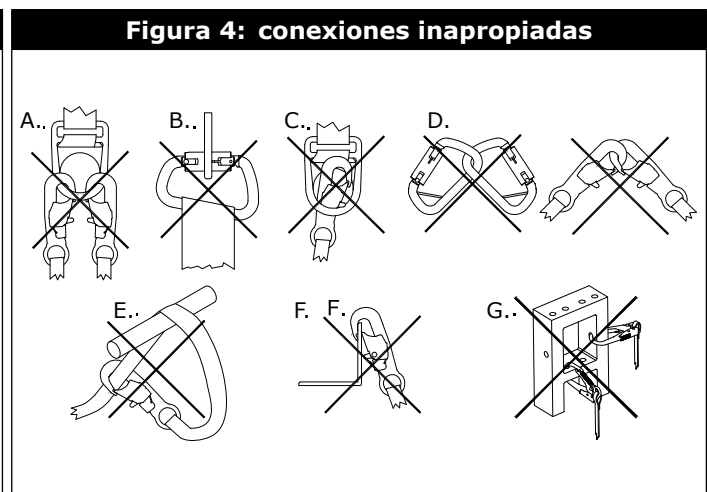
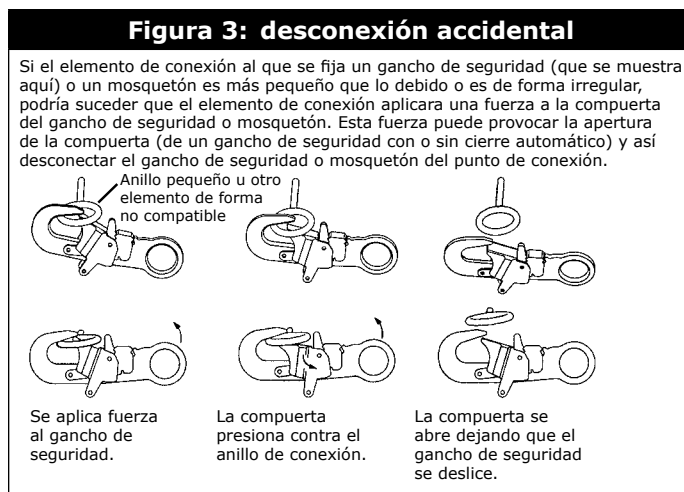
- A. **UBICACIÓN DEL ANCLAJE ABISAGRADO DE TECHO:** la ubicación del anclaje abisagrado de techo debe seleccionarse con cuidado para reducir los posibles riesgos de caída por balanceo y libre, y para evitar el choque contra algún objeto al caer. Para los sistemas de detención de caídas, OSHA exige que el anclaje sea independiente de los medios que suspenden o soportan al usuario. Para los sistemas de retención, el anclaje se debe colocar de manera que no sea posible ningún tipo de caída libre vertical. La sección 4 de este manual trata sobre la instalación del anclaje abisagrado de techo.

- B. CAÍDA LIBRE:** no trabaje por encima del nivel del anclaje abisagrado de techo, a fin de no aumentar la distancia de caída. Los sistemas personales de detención de caídas deben estar instalados de tal manera que la distancia de caída libre nunca exceda los 1,8 m (6 pies). Los sistemas de sujeción deben instalarse de modo que no sea posible ningún tipo de caída libre vertical.
- C. REQUISITO DEL SISTEMA PERSONAL DE DETENCIÓN DE CAÍDAS:** los PFAS que se utilizan con el anclaje de techo deben cumplir con los requisitos estatales y federales aplicables y con los exigidos por la OSHA y ANSI. Los PFAS que incorporan un arnés de cuerpo entero deben ser capaces de detener la caída de un operario con una fuerza de detención máxima no mayor a 816 kg (1.800 lb) y limitar la distancia de caída libre a un máximo de 1,8 m (6 pies) o menos. La distancia de desaceleración para los PFAS debe ser de 1,1 m (42 pulgadas) o menos. Consulte los requisitos de la OSHA y del ANSI Z359.1.
- D. CAÍDAS POR BALANCEO:** las caídas por balanceo tienen lugar cuando el punto de anclaje no está directamente por encima del punto donde ocurre la caída. La fuerza de golpear contra un objeto al caer en movimiento pendular puede ser grande y provocar lesiones graves. Trabaje en un lugar situado lo más directamente posible por debajo del anclaje para minimizar la posibilidad de una caída por balanceo. Consulte la figura 2.
- E. ESPACIO LIBRE DE CAÍDA:** si ocurriera una caída, debe haber suficiente espacio libre para detenerla antes de que la persona se golpee contra el suelo o con otros objetos. El espacio libre que realmente se requiere depende del tipo de sistema de conexión secundario de detención de caídas (eslinga absorbidora de energía, anticaídas autorretráctil, etc.). Para obtener información sobre la separación de caída consulte las instrucciones de Protecta.
- F. BORDES FILOSOS:** evite trabajar en sitios en los que el sistema de conexión secundario (eslinga de amortiguación, anticaídas autorretráctil, arnés de cuerpo entero, etc.) u otros componentes estén en contacto o rocen contra bordes filosos sin protección. No enrolle la eslinga alrededor de piezas estructurales de escaso diámetro. Si no puede evitar su utilización cerca de bordes afilados, estos se deben proteger con una almohadilla gruesa o algún otro medio colocado sobre el borde afilado expuesto.
- G. DESPUÉS DE UNA CAÍDA:** los componentes que se han sometido a fuerzas provenientes de la detención de una caída deben ser retirados de servicio y destruidos.
- H. CONSIDERACIONES DE USO GENERAL:** evite trabajar en lugares donde un anticaídas conectado pueda cruzarse o enredarse con el de otro trabajador. No permita que una eslinga conectada pase por debajo de los brazos o entre las piernas del usuario.



- 3.5 COMPATIBILIDAD DE LOS COMPONENTES:** el equipo de Capital Safety fue diseñado para ser utilizado exclusivamente con los componentes y sistemas secundarios aprobados de Capital Safety. Las sustituciones o reemplazos hechos con componentes y sistemas secundarios no aprobados pueden arriesgar la compatibilidad del equipo y pueden afectar la seguridad y confiabilidad de todo el sistema.
- 3.6 COMPATIBILIDAD DE LOS CONECTORES:** Los conectores se consideran compatibles con los elementos de conexión cuando fueron diseñados para funcionar juntos de manera tal que, independientemente de cómo queden orientados, sus formas y tamaños no provoquen la apertura accidental de los mecanismos de cierre. Comuníquese con Capital Safety ante cualquier duda sobre compatibilidad.

Los conectores (ganchos, mosquetones y anillos en D) deben ser capaces de soportar al menos 2268 kg (5000 lb). (22,2 kN). Los conectores deben ser compatibles con el anclaje u otros componentes del sistema. No use un equipo que no sea compatible. Los conectores no compatibles pueden desengancharse accidentalmente. Consulte la figura 3. Los conectores deben ser compatibles en cuanto a tamaño, forma y resistencia.



- 3.7 CONEXIONES:** con este equipo use únicamente ganchos de seguridad y mosquetones de cierre automático. Solo utilice los conectores apropiados para cada aplicación. Asegúrese de que todas las conexiones sean compatibles en cuanto a tamaño, forma y resistencia. No use un equipo que no sea compatible. Asegúrese de que todos los conectores estén completamente cerrados y trabados.

Los conectores (ganchos de seguridad y mosquetones) Capital Safety están diseñados para el uso exclusivo que se especifica en las instrucciones de uso de cada producto. Vea las conexiones incorrectas en la figura 4. Los ganchos de seguridad y los mosquetones Capital Safety no deben conectarse:

- A. A un anillo en D al que se ha conectado otro conector.
- B. De manera tal que se produzca una carga sobre la compuerta.

**PRECAUCIÓN:** Los ganchos de seguridad con grandes gargantas no deben conectarse ni a anillos de tamaño estándar ni a objetos similares que puedan imponer una carga sobre la compuerta si el gancho o el anillo girara o se torciera. Los ganchos de seguridad con grandes gargantas están diseñados para utilizarse en elementos estructurales fijos, como varillas o piezas transversales que, por su forma, no son capaces de capturar la compuerta del gancho.

- C. En un enganche falso, donde los elementos que sobresalen del gancho de seguridad o del mosquetón se sujeten del anclaje y, a primera vista, aparenten estar completamente enganchados al punto de anclaje.
- D. Entre sí.
- E. Directamente a un tejido trenzado, a una eslinga de cuerda o de autoamarre (a menos que en las instrucciones del fabricante de la eslinga y del conector se permita específicamente realizar esa conexión).
- F. A ningún objeto cuya forma o dimensión sea tal que el gancho de seguridad o mosquetón quede sin cerrar o trabar, o que pueda deslizarse.
- G. De modo que impida que el conector se alinee correctamente en condiciones de carga.

**3.8 RESISTENCIA DEL ANCLAJE:** según la aplicación, el anclaje en el que se instala el anclaje abisagrado de techo debe tener la resistencia de anclaje que se indica a continuación:

**DETENCIÓN DE CAÍDAS:** los anclajes abisagrados de techo instalados para aplicaciones de detención de caídas deben estar conectados a un elemento del techo que pueda sostener cargas estáticas en todas las direcciones permitidas por el PFAS cuando están en uso de al menos: (A) 1633 kg (3600 lb) (16 kN) cuando exista certificación (consulte la definición de certificación en ANSI Z359.1), o (B) 2268 kg (5000 lb) (22,2 kN) si no hay certificación. Consulte la figura 7 para conocer las limitaciones de dirección de carga del anclaje abisagrado de techo. Cuando se instala más de un anclaje abisagrado de techo en una estructura de techo, los requisitos de resistencia indicados en los puntos anteriores (A) o (B) deben cumplirse en cada punto de instalación de los anclajes abisagrados de techo en forma independiente. EJEMPLO: Si dos anclajes abisagrados de techo están instalados en una estructura de techo, cada ubicación del anclaje debe ser capaz de soportar, de forma independiente, 2268 kg (5000 lb) (o 1633 kg (3600 lb) [16 kN] con certificación).

**LAS NORMAS OSHA 1926.500 Y 1910.66 ESTABLECEN QUE:** los anclajes usados para conectar un sistema personal de detención de caídas deberán ser independientes de cualquier anclaje que se esté usando para sostener o suspender plataformas y capaces de soportar un mínimo de 2268 kg (5000 lb) (22,2 kN) por usuario, o deberán estar diseñados, instalados y emplearse como parte de un sistema personal de detención de caídas que mantenga un factor de seguridad de por lo menos dos, y que esté supervisado por una persona calificada.

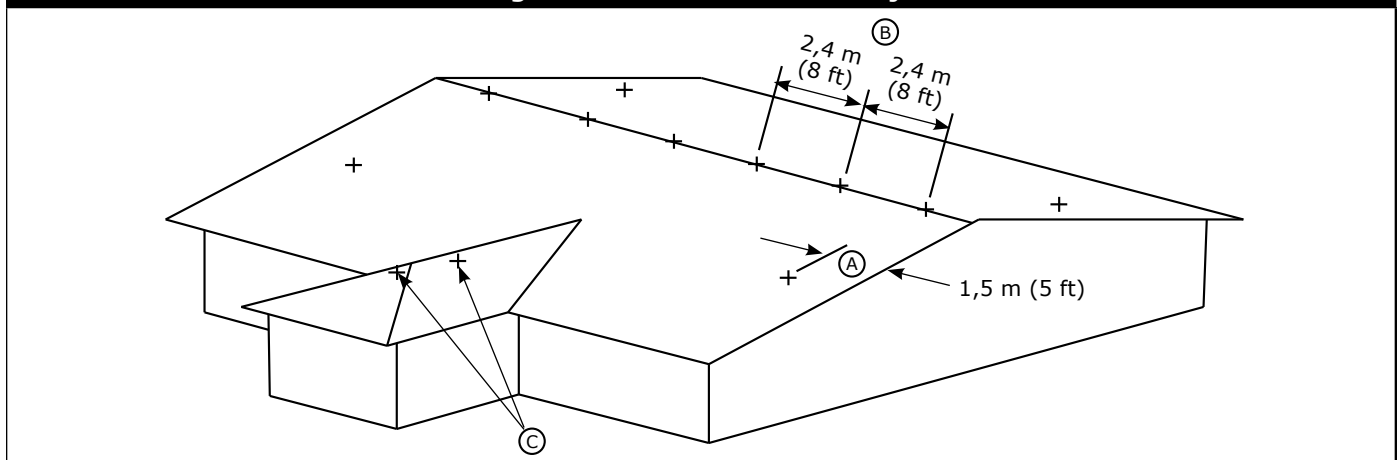
**RETENCIÓN:** los anclajes abisagrados de techo instalados para aplicaciones de retención deben estar conectados a un elemento del techo que sea capaz de sostener una carga estática de, al menos, 1360 kg (3000 lb) aplicada en cualquier dirección permitida por el sistema de retención cuando está en uso. Cada instalación de anclaje abisagrado de techo debe ser capaz de sostener esta carga en forma independiente.

## 4.0 INSTALACIÓN Y USO DEL ANCLAJE ABISAGRADO DE TECHO

### 4.1 PLANIFICACIÓN DE INSTALACIÓN PREVIA DEL ANCLAJE ABISAGRADO DE TECHO.

- A. **PLAN DE SITIO DE INSTALACIÓN DEL ANCLAJE ABISAGRADO DE TECHO:** antes de comenzar la construcción del techo, se debe establecer un plan para definir dónde se instalarán los anclajes abisagrados de techo y cuándo se usarán en el transcurso del proceso de construcción. A continuación se presentan algunas pautas para la ubicación de los anclajes abisagrados de techo (consulte la figura 5):

**Figura 5: instalación del anclaje**



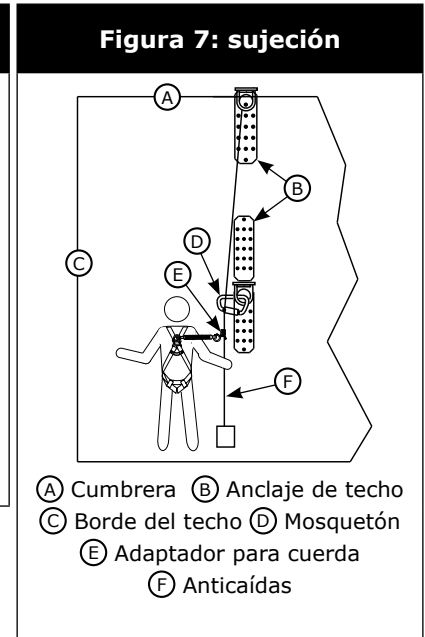
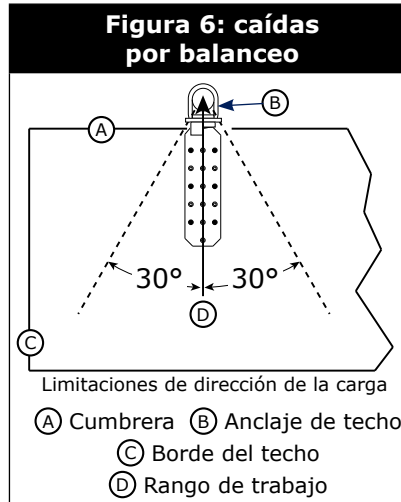
- El anclaje abisagrado de techo se debe ubicar en la cumbrera (cuando sea posible) y, al menos, a 1,5 m (5 pies) <sup>(A)</sup> de cualquier borde expuesto del techo. En áreas muy pequeñas del techo, ubique el anclaje abisagrado de techo lo más lejos posible del borde del techo. Es posible que sea necesario instalar anclajes abisagrados de techo adicionales en toda la cumbrera.
- Los anclajes abisagrados de techo se deben usar solamente en estructuras capaces de soportar las cargas aplicadas en todas las direcciones permitidas por el sistema de detención de caídas. Consulte la sección 3.8 para conocer los requisitos de resistencia del anclaje. No instale anclajes abisagrados de techo en estructuras de techo sin soporte, tales como aleros o salientes de aleros. No instale anclajes abisagrados de techo en las placas de borde.



- El anclaje abisagrado de techo solo se debe instalar en ubicaciones que permitan que el operario se posicione a 30 grados del anclaje durante el uso y si ocurre una caída. Consulte la figura 6.
- El espaciamiento para la instalación de anclajes abisagrados de techo a lo largo de la cumbrera debe ser de 2,4 m (8 pies) (B). Si los techos son de caballete, se requiere un anclaje abisagrado de techo en cada cara del caballete (C).
- En techos largos de poca pendiente, se deben instalar varios anclajes abisagrados de techo a lo largo de las cumbreras a 1,5 m (5 pies) del borde para reducir el riesgo de caída por balanceo.

- B. CAÍDAS POR BALANCEO:** las caídas por balanceo (las cuales también se describen en la sección 3.4) ocurren cuando el anclaje no está directamente por encima del punto donde ocurre una caída. La fuerza de golpear contra un objeto al caer en movimiento pendular puede ser grande y provocar lesiones graves. El operario debe estar ubicado dentro de un rango de 30 grados con respecto al anclaje abisagrado de techo. (Consulte la figura 6).

Un sistema anticaídas puede estar sujetado a un anclaje cerca del área de trabajo con un mosquetón y un segundo anclaje abisagrado de techo (consulte la figura 7, D).



- C. ELEMENTOS ESTRUCTURALES DEL TECHO:** los elementos estructurales del techo a los cuales se sujetará el anclaje abisagrado de techo deben estar en buenas condiciones. Deben estar libres de fisuras, grietas, nudos grandes u otros defectos que puedan debilitar el elemento. No conecte el anclaje abisagrado de techo a un elemento de madera deteriorada o podrida.

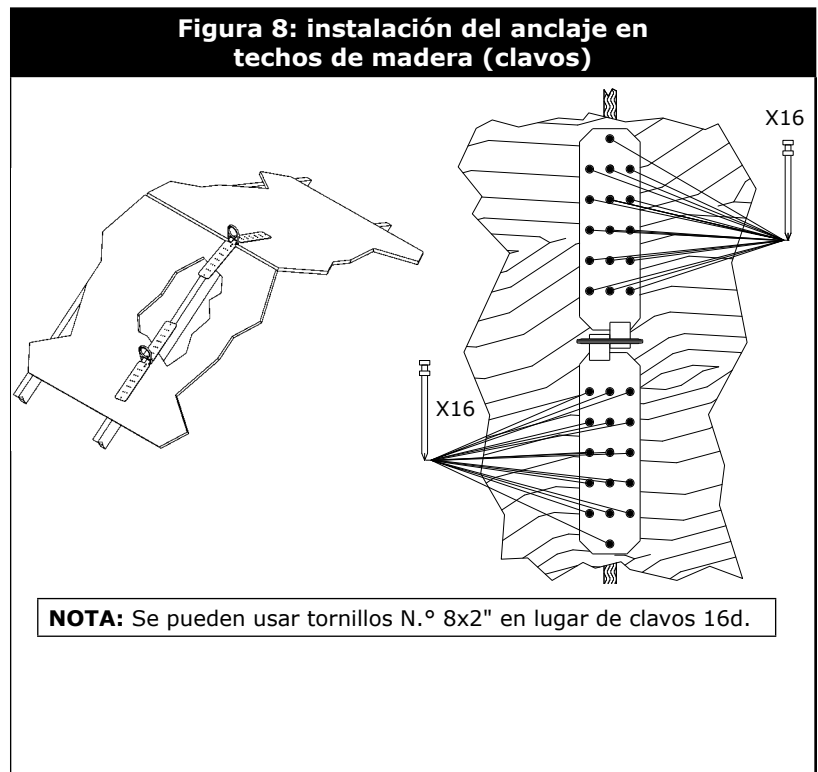
#### 4.2 INSTALACIÓN DEL ANCLAJE ABISAGRADO DE TECHO

- A. SUJETADORES:** el anclaje abisagrado de techo debe estar asegurado al techo por un mínimo de 32 tornillos N.º 8x2" o 32 clavos de doble cabeza 16d 3" para sujetar a la madera. Los sujetadores en la fila central deben estar instalados en la viga del techo. Utilice todos los orificios proporcionados al asegurar el anclaje abisagrado de techo a la estructura de madera.

Para aplicaciones en superficies metálicas o techos de acero, utilice 12 tornillos para chapa N.º 12. Los tornillos para chapa deben ser lo suficientemente largos para penetrar la superficie de acero y el larguero Z.

- B.** Los anclajes abisagrados de techo deben instalarse de conformidad con el plano del sitio descrito en la sección 4.1. Deben seguirse las reglas del sitio de trabajo para determinar si un anclaje abisagrado de techo instalado está listo para ser utilizado (por ej., después del encofrado).

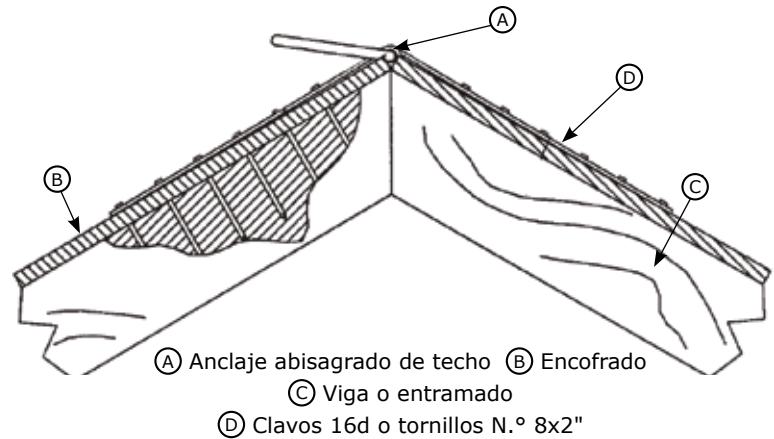
**CONEXIÓN DEL ANCLAJE ABISAGRADO DE TECHO:** (consulte las figuras 8 y 9). Separe las patas de base del anclaje abisagrado de techo para hacerlas coincidir con la superficie en la que se va a montar, ya sea una cumbrera o una superficie plana. Coloque el anclaje en el techo de manera tal que los 12 orificios situados en el centro de las patas se encuentren por encima de un elemento estructural. Luego, empuje hacia abajo para minimizar el espacio entre el anclaje y el encofrado, y asegure con tornillos o clavos. Solo utilice 32 tornillos N.º 8x2" o 32 clavos de doble cabeza 16d 3" para instalar el anclaje en el techo de madera. Los 12 sujetadores en la fila central deben estar instalados en la viga del techo. Los 20 sujetadores restantes están instalados en el encofrado. Utilice todos los orificios proporcionados al asegurar el anclaje abisagrado de techo a la estructura de madera. Vea la sección 5.0 para la inspección antes de utilizar.



**ADVERTENCIA:** El anclaje abisagrado de techo debe estar colocado por encima del encofrado del techo previamente asegurado (no lo conecte directamente a la viga o al elemento del entramado). Los 32 sujetadores deben estar instalados. Si el anclaje abisagrado de techo no está instalado correctamente, no soportará las cargas especificadas y puede ocurrir una lesión grave o, incluso, la muerte.

**ADVERTENCIA:** Solo utilice tornillos nuevos o clavos 16d. Los clavos deben tener una cabeza completa. No use clavos que se disparen con pistola de clavos. No conecte jamás el anclaje abisagrado de techo con las patas juntas (las patas se deben separar).

**Figura 9: instalación del anclaje abisagrado de techo en madera**



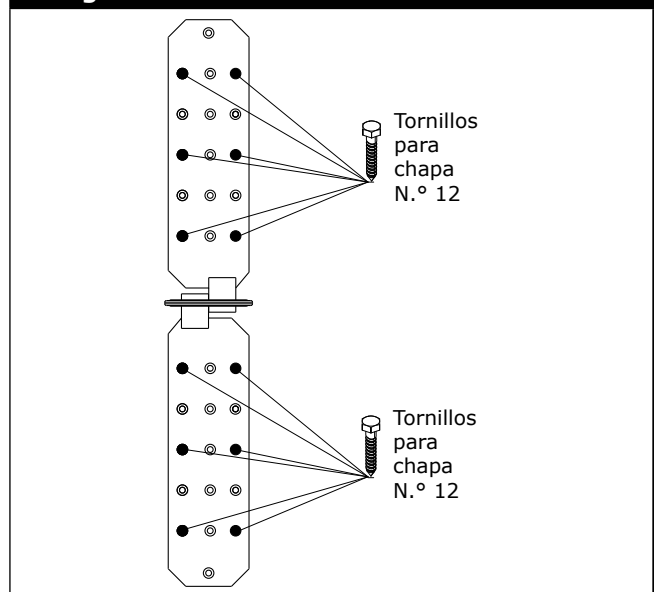
**C. INSTALACIÓN DE LA SUPERFICIE DE ACERO:**

(consulte la figura 10). Este anclaje puede instalarse sobre una superficie de acero con un espesor mínimo de material calibre 22 (0,076 cm o 0,030 in) sobre largueros Z con un espesor mínimo de material calibre 16 (0,162 cm o 0,064 in). Para sujetar el anclaje se necesitan 12 tornillos Teks N.º 12. Los tornillos deben tener el largo suficiente para que al menos cinco roscas queden expuestas fuera de la parte inferior del larguero. Los tornillos se deben ubicar según se muestra en la figura 11. **Todos los tornillos deben penetrar el larguero Z.** El anclaje debe quedar plano sobre la superficie de acero.

**D. EXTRACCIÓN DEL ANCLAJE ABISAGRADO DE**

**TECHO:** extraiga el anclaje abisagrado de techo antes de techar el área con el anclaje. Para ello, quítelo del techo haciendo palanca. Si los anclajes están atornillados, será necesario extraer los tornillos en lugar de hacer palanca en el anclaje. Luego de la extracción del anclaje, es posible que se deba reparar la superficie. Es responsabilidad del instalador realizar las reparaciones necesarias en los materiales del techo.

**Figura 10: instalación del techo de acero**



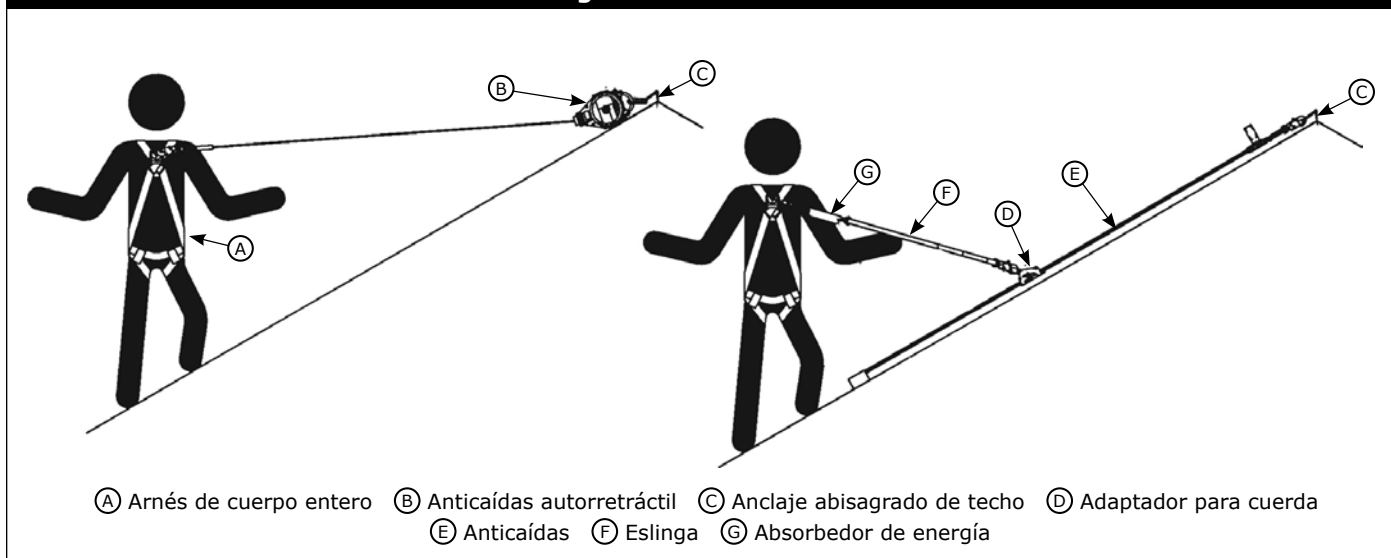
**NOTA:** El anclaje abisagrado de techo está diseñado como un anclaje multiuso. Se deben usar sujetadores nuevos cada vez que se vuelva a instalar el anclaje.

**4.3 CONEXIÓN AL ANCLAJE ABISAGRADO DE TECHO INSTALADO:** (consulte la figura 11). La conexión al anclaje abisagrado de techo instalado puede realizarse con un gancho de seguridad de bloqueo automático o simplemente con un mosquetón de cierre y bloqueo automático. No use un nudo para conectar un anticaídas al anclaje abisagrado de techo. No pase la eslinga o el anticaídas por el anillo en D del anclaje abisagrado de techo para luego engancharla en la eslinga o el anticaídas. Al conectar, asegúrese de que las conexiones estén completamente cerradas y trabadas. La figura 11 muestra la conexión correcta al anclaje abisagrado de techo de un equipo típico de retención o de detención de caídas. Cuando se utiliza una eslinga absorbidora de energía, conecte el extremo del "paquete" absorbedor de energía al arnés. Cuando utilice una línea de vida autorretráctil, asegúrese de que el dispositivo esté ubicado en forma correcta para que no se obstaculice la retracción. Proteja siempre el anticaídas/eslinga de la abrasión de superficies filosas o abrasivas en el techo. Asegúrese de que todas las conexiones sean compatibles en tamaño, forma y resistencia. Nunca conecte más de un sistema personal de protección contra caídas a un solo anclaje abisagrado de techo.

**ADVERTENCIA:** Lea y siga las instrucciones del fabricante para los equipos asociados (es decir, arnés de cuerpo entero, eslinga de amortiguación, anticaídas autorretráctil, etc.) que se utilizan en su sistema personal de detención de caídas.

**ADVERTENCIA:** Para versiones especiales (personalizadas) de este producto, siga las instrucciones en este documento. Si se incluye un suplemento, consúltelo para conocer instrucciones adicionales que deben seguirse al utilizar un producto personalizado.

**Figura 11: conexiones**



- Ⓐ Arnés de cuerpo entero   Ⓑ Anticáidas autorretráctil   Ⓒ Anclaje abisagrado de techo   Ⓓ Adaptador para cuerda  
Ⓔ Anticáidas   Ⓕ Eslinga   Ⓖ Absorbedor de energía

## 5.0 INSPECCIÓN

### 5.1 FRECUENCIA:

- A. Antes de cada uso, realice una inspección visual del equipo según los pasos enumerados en la sección 5.2.
- B. El anclaje abisagrado de techo debe ser inspeccionado, por lo menos una vez al año, por una persona competente<sup>1</sup> que no sea el usuario. Consulte las pautas en la sección 5.2. Anote los resultados de cada inspección formal en el *Registro de inspecciones y mantenimiento* en este manual. **NOTA:** Cal/OSHA exige que los sistemas personales de detención de caídas sean inspeccionados antes de cada uso para detectar signos de desgaste, daño y defectos, y que a esto lo realice una persona competente al menos dos veces al año, de acuerdo con las recomendaciones del fabricante, y que se documenten las fechas de inspección.

**IMPORTANTE:** Si el equipo fue sometido a fuerzas resultantes de la detención de una caída, se debe retirar de inmediato del servicio y destruir. El anclaje abisagrado de techo no puede ser reparado. Consulte en la sección 5.2 para conocer los pasos de la inspección.

### 5.2 PASOS DE LA INSPECCIÓN:

- Paso 1.** Inspeccione el anclaje abisagrado de techo para determinar si presenta daños físicos. Busque con cuidado cualquier señal de fracturas, melladuras o deformidades en el metal. Revise para ver si está doblado; las patas del anclaje abisagrado de techo deben estar planas. Las soldaduras no deben estar agrietadas.
- Paso 2.** Inspeccione el anclaje abisagrado de techo para ver si hay señales de corrosión excesiva.
- Paso 3.** Asegúrese de que el estado del anclaje abisagrado de techo pueda soportar las cargas del anclaje abisagrado de techo (consulte la sección 3.8). No debe usarse un anclaje abisagrado de techo conectado a una madera podrida o deteriorada.
- Paso 4.** Asegúrese de que el anclaje abisagrado de techo esté firmemente asegurado. Si el anclaje abisagrado de techo se encuentra flojo, no lo utilice.
- Paso 5.** Todas las etiquetas deben estar presentes y ser completamente legibles. Consulte la sección 8.
- Paso 6.** Si la inspección revela una condición defectuosa, retire el anclaje abisagrado de techo inmediatamente del servicio y destrúyalo. El anclaje abisagrado de techo no puede ser reparado.
- Paso 7.** Anote la fecha y los resultados de la inspección en el *Registro de inspecciones y mantenimiento* que se encuentra en este manual.

## 6.0 ESPECIFICACIONES

**Material:** anillo en D de aleación de acero forjado y base de acero de 0,318 cm (1/8 in) de espesor.

**Resistencia mínima de ruptura:** 2268 kg (5000 lb) cuando se instalan según las instrucciones y como se muestra en la sección 4, figura 7. Rango de trabajo a 30 grados.

**Peso:** 0,8 kg (1,8 lb)

**Tamaño:** 1,6 cm x 10 cm x 43 cm (5/8 in x 4 in x 17 in)

**Capacidad:** 140 kg (310 libras) (una persona)

**Normas:** ANSI Z359.1 y OSHA.

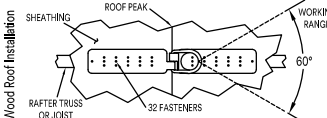
## 7.0 LIMPIEZA Y MANTENIMIENTO

No se requiere mantenimiento programado.

<sup>1</sup> **Persona competente:** un individuo que tiene conocimiento de las recomendaciones e instrucciones del fabricante así como de los componentes fabricados, que es capaz de identificar peligros existentes y previsible al realizar la correcta selección, utilización y mantenimiento de los sistemas de protección de caídas.

## 8.0 ETIQUETAS

8.1 Esta etiqueta del anclaje abisagrado de techo debe estar presente y ser completamente legible:

<p><b>3M</b>   <b>PROTECTA</b> <b>Fall Protection</b></p> <p>Model: 2104000 Anchorage Connector Standards: OSHA 1910.66, 1926.502; ANSI Z359.1-2007 ANSI Capacity: 1 person, 310 lbs (141 kg) Minimum Breaking Strength: 5,000 lb Material: Zinc Plated Steel</p> <p><b>WARNING</b> Read instructions before use. Manufacturer's instructions supplied with this product at time of shipment must be followed for proper use, maintenance, and inspection.</p> <p>Failure to follow instructions may result in serious injury or death. Use only with ANSI/OSHA compliant personal fall arrest systems. Anchor must be properly installed to support required loads. Only make compatible connections. For temporary use only. Avoid contact with sharp edges and abrasive surfaces.</p> <p>See instructions for further details. Not intended as a permanently installed anchorage. Remove after use. Anchor must be removed and disposed of after a fall event. Do not remove label.</p> <p>3M.com/FallProtection <span style="float: right;">9513255 Rev. A</span></p>	<p><b>Inspection:</b> Inspect anchor before each use. In addition, a competent person must inspect at least annually. Do not use if inspection reveals an unsafe or defective condition. Do not remove this label.</p> <p><b>Installation -</b> Select an anchorage point that is rigid and capable of supporting the required loads. Each 2104000 Reusable Roof Anchor must be fastened to the wood roof structure using a minimum of 32 #8x2" screws or 32 16d 3" double head nails. Anchor must be placed over both plywood sheathing and roof truss. The 12 fasteners in the center row must be fastened into the roof rafter or truss.</p> <p>Use all Holes provided when securing the Reusable Roof Anchor to the wood structure. The Reusable Roof Anchor is Rated to ANSI Z359.1 when working within 60 degrees of the anchor. See figure below. For steel decking installation, anchor must be installed on steel decking with a minimum material thickness of 22 gauge (.030 inch) over steel Z-purlins with a minimum material thickness of 16 gauge (.064 inch).</p> <p>Anchor must be installed with a minimum of (12) #12 Tek's sheet metal screws with a sufficient length to penetrate both the steel decking and the Z-purlin and have 5 threads be exposed beyond the bottom of the Z-purlin. Every screw must penetrate the Z-purlin. See instructions for more details and installation requirements.</p>  <p>The diagram illustrates the installation of the anchor on a wood roof. It shows a cross-section of the roof with labels for 'SHEATHING', 'ROOF PEAK', and 'RAFTER TRUSS OR JOIST'. The anchor is positioned over the sheathing and rafter. A central row of 12 fasteners is shown, with 32 fasteners in total. A 'WORKING RANGE' of 60 degrees is indicated by a dashed line and an arc.</p>
---	--







## GARANTÍA LIMITADA DE POR VIDA

**Garantía para el usuario final:** D B Industries, LLC, que opera bajo el nombre de CAPITAL SAFETY USA ("CAPITAL SAFETY") garantiza al usuario final original ("Usuario final") que sus productos están libres de defectos de materiales y de mano de obra en condiciones normales de uso y mantenimiento. Esta garantía se extiende durante la vida útil del producto a partir de la fecha en que el Usuario final adquiere el producto, nuevo y sin uso, a un distribuidor autorizado de CAPITAL SAFETY. La entera responsabilidad de CAPITAL SAFETY hacia el Usuario final y el remedio exclusivo para el Usuario final bajo esta garantía están limitados a la reparación o el reemplazo por materiales de todo producto defectuoso dentro de su vida útil (según CAPITAL SAFETY lo determine y considere apropiado a su solo criterio). Ninguna información o asesoramiento, oral o escrito, proporcionado por CAPITAL SAFETY, sus distribuidores, directores, funcionarios, agentes o empleados creará una garantía diferente o adicional ni aumentará de ninguna manera el alcance de esta garantía. CAPITAL SAFETY no aceptará responsabilidad por defectos resultantes del abuso, el uso incorrecto, la alteración o la modificación del producto, ni por defectos resultantes de no respetar las instrucciones del fabricante durante la instalación, el mantenimiento o el uso del producto.

LA GARANTÍA DE CAPITAL SAFETY SE APLICA ÚNICAMENTE AL USUARIO FINAL. ESTA GARANTÍA ES LA ÚNICA GARANTÍA QUE SE APLICA A NUESTROS PRODUCTOS Y REEMPLAZA A TODAS LAS OTRAS GARANTÍAS Y RESPONSABILIDADES, EXPRESAS O IMPLÍCITAS. CAPITAL SAFETY EXPRESAMENTE EXCLUYE Y RENUNCIA A TODAS LAS GARANTÍAS IMPLÍCITAS DE COMERCIABILIDAD O APTITUD PARA UN PROPÓSITO PARTICULAR, Y NO SERÁ RESPONSABLE POR DAÑOS INCIDENTALES, PUNITIVOS O EMERGENTES DE NINGUNA NATURALEZA, INCLUYENDO SIN LIMITACIÓN PÉRDIDAS DE INGRESOS, GANANCIAS O PRODUCTIVIDAD; NI POR LESIONES CORPORALES O MUERTE, O PÉRDIDA DE O DAÑO A LA PROPIEDAD, BAJO CUALQUIER TEORÍA DE RESPONSABILIDAD, INCLUYENDO SIN LIMITACIÓN CONTRATO, GARANTÍA, RESPONSABILIDAD ESTRUCTIVA, AGRAVIO (INCLUIDA NEGLIGENCIA) O CUALQUIER OTRA TEORÍA LEGAL O EQUITATIVA.



Fall Protection

### USA

3833 SALA Way  
Red Wing, MN 55066-5005  
Toll Free: 800.328.6146  
Phone: 651.388.8282  
Fax: 651.388.5065  
solutions@capitalsafety.com

### Brazil

Rua Anne Frank, 2621  
Boqueirão Curitiba PR  
81650-020  
Brazil  
Phone: 0800-942-2300  
brasil@capitalsafety.com

### Mexico

Calle Norte 35, 895-E  
Col. Industrial Vallejo  
C.P. 02300 Azcapotzalco  
Mexico D.F.  
Phone: (55) 57194820  
mexico@capitalsafety.com

### Colombia

Compañía Latinoamericana de Seguridad S.A.S.  
Carrera 106 #15-25 Interior 105 Manzana 15  
Zona Franca - Bogotá, Colombia  
Phone: 57 1 6014777  
servicioalcliente@capitalsafety.com

### Canada

260 Export Boulevard  
Mississauga, ON L5S 1Y9  
Phone: 905.795.9333  
Toll-Free: 800.387.7484  
Fax: 888.387.7484  
info.ca@capitalsafety.com

### EMEA (Europe, Middle East, Africa)

*EMEA Headquarters:*  
5a Merse Road  
North Moons Moat  
Redditch, Worcestershire  
B98 9HL UK  
Phone: + 44 (0)1527 548 000  
Fax: + 44 (0)1527 591 000  
csgne@capitalsafety.com

### France:

Le Broc Center  
Z.I. 1re Avenue - BP15  
06511 Carros Le Broc Cedex  
France  
Phone: + 33 04 97 10 00 10  
Fax: + 33 04 93 08 79 70  
information@capitalsafety.com

### Australia & New Zealand

95 Derby Street  
Silverwater  
Sydney NSW 2128  
Australia  
Phone: +(61) 2 8753 7600  
Toll-Free : 1800 245 002 (AUS)  
Toll-Free : 0800 212 505 (NZ)  
Fax: +(61) 2 8753 7603  
sales@capitalsafety.com.au

### Asia

#### Singapore:

69, Ubi Road 1, #05-20  
Oxley Bizhub  
Singapore 408731  
Phone: +65 - 65587758  
Fax: +65 - 65587058  
inquiry@capitalsafety.com

#### Shanghai:

Rm 1406, China Venturetech Plaza  
819 Nan Jing Xi Rd,  
Shanghai 200041, P R China  
Phone: +86 21 62539050  
Fax: +86 21 62539060  
inquiry@capitalsafety.cn

[www.capitalsafety.com](http://www.capitalsafety.com)

