

## Introduction

The Sheet Lifter allows one person without assistance to lift a plasterboard sheet that is up to 1.22m x 4.88m in size.

The sheet can be raised to a maximum height of 3.35m for attachment to level ceilings or (with the lift's cradle tilted) to sloped ceilings or side walls.

The lift's cradle lowers to 87cm off the floor for easy sheet loading and can support up to 68kg.

These instructions explain how to assemble the lift and operate it. We urge you to read the important precautions below and the operation sections, before using the lift.

## Important Precautions



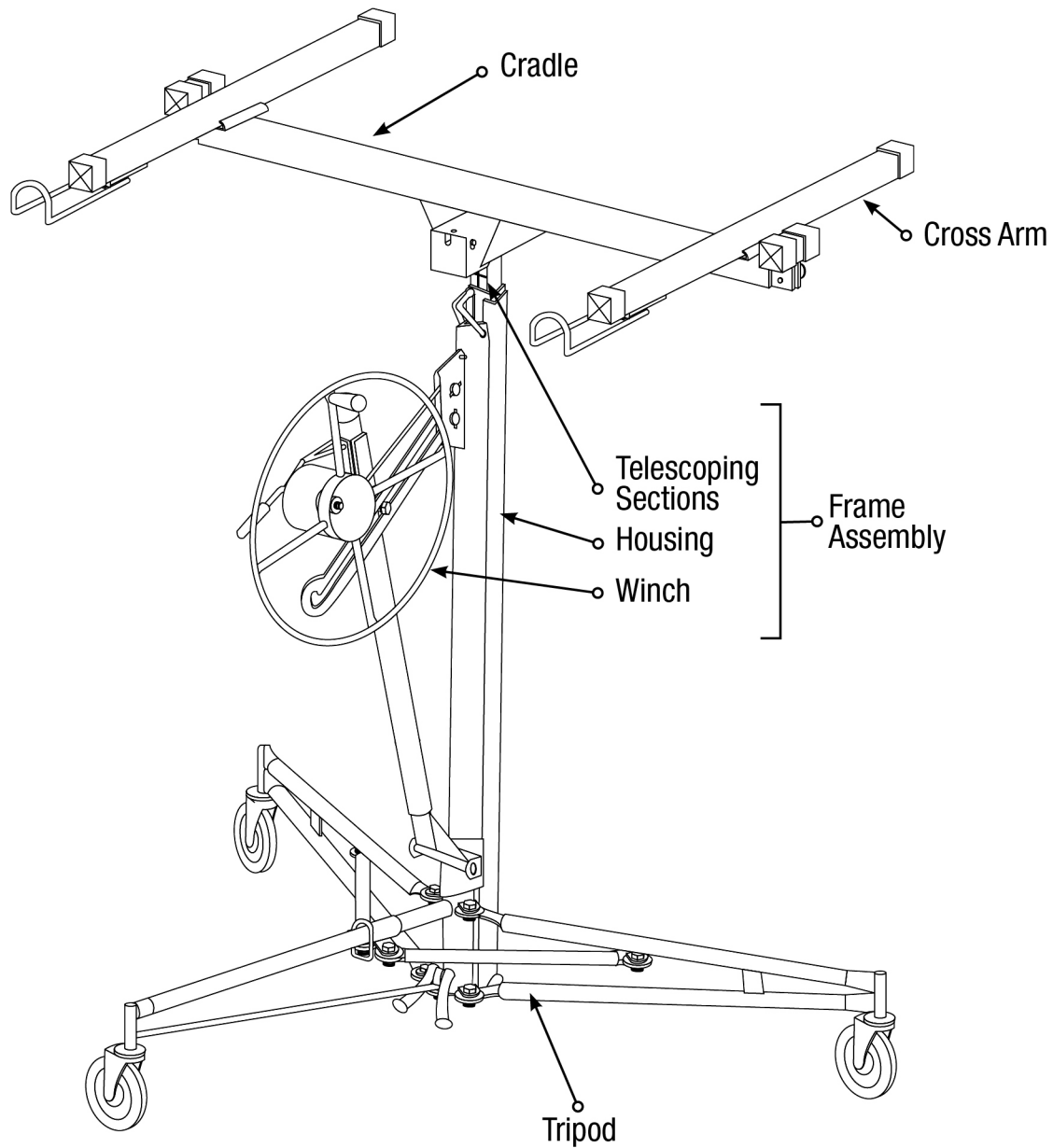
**WARNING: To protect against serious injury use common sense and observe the following precautions when operating the Sheet Lifter.**

- ▲ **ALWAYS** study these instructions before operating and pay close attention to all warnings.
- ▲ **ALWAYS** inspect the unit carefully before each days use (pay special attention to the condition of the cable).
- ▲ **ALWAYS** allow the lift to reach working room temperature before use (moving a cold unit into a warm room can cause condensation, which could effect the operation of the winch break). Always be sure the brake drum is clean and dry before operating.
- ▲ **NEVER** use the lift if either cross arm support is not secured by its locking spring tab.
- ▲ **ALWAYS** wear a hard hat when operating this lift. Always watch for forehead obstructions when lifting plasterboard sheets.
- ▲ **NEVER** use the lift for any purpose other than lifting plasterboard sheets.
- ▲ **NEVER** lift more than one sheet of plasterboard at a time.
- ▲ **NEVER** lift more than 68kg.

## Contents

<b>Assembly .....</b>	<b>3 - 5</b>
<b>Operator Controls .....</b>	<b>5 - 7</b>
<b>Operating Procedure .....</b>	<b>7 - 9</b>
<b>Disassembly .....</b>	<b>9 - 10</b>
<b>Maintenance .....</b>	<b>10</b>
<b>Part List .....</b>	<b>11 - 12</b>

# Sheet Lifter Components



## Assembly

### Components

The Sheet Lifter is shipped as several components that must be assembled before use:

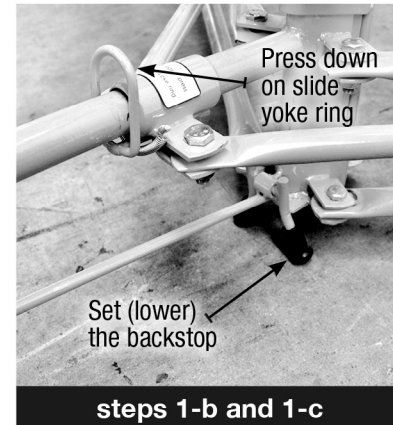
- Tripod base assembly
- Frame assembly including winch assembly and standard 1.22m telescoping lift sections
- Cradle assembly without its detachable cross arms
- Two cradle cross arm assemblies

# Assembly

## Assembly Procedure

### 1. Set up the tripod base

- Set the base on the floor, on its casters.
- Press down on the slide yoke ring. Hold down while you swing the two forward legs out until the yoke rings snap into the locking hole on the bottom of the slide tube.
- To prevent the tripod base from rolling backward during assembly, lower the backstop as shown.

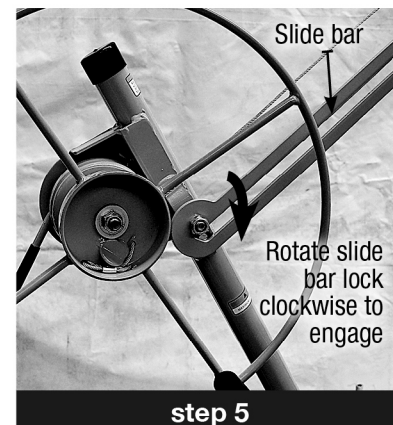
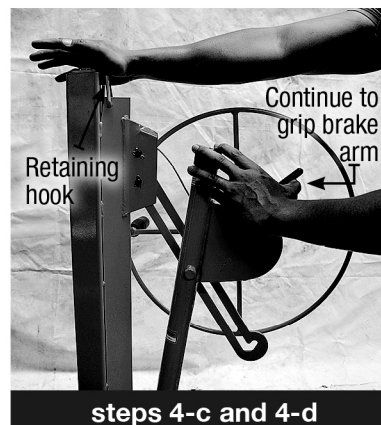
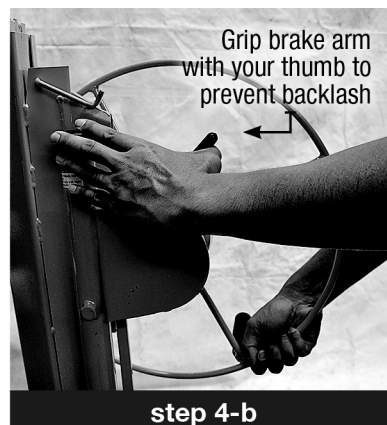
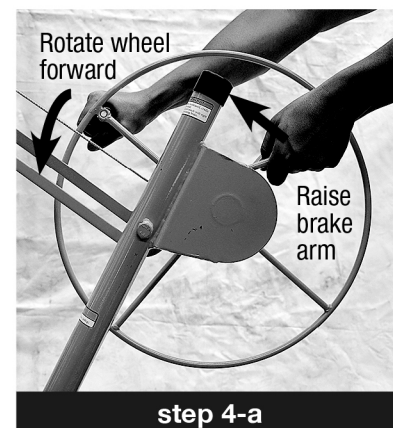


### 2. Set the assembly on to the two "V" angles on the tripod base and lower the frame about 2.5cm until it's secured

### 3. Attach the handle to the winch wheel. Tighten the nut and then back it off slightly so the handle turns freely

### 4. Move the winch assembly into its working position

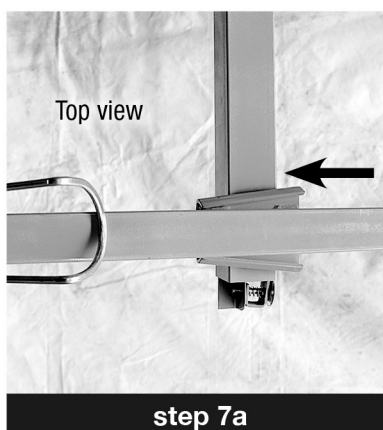
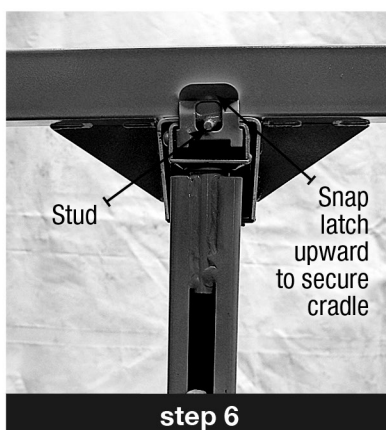
- Hold the winch wheel and brake arm as shown. Rotate the winch wheel forward slightly while you lift the brake arm to release the brake.
- Raise the brake arm all the way up, grasp the winch post and grip the brake arm firmly with your thumb.
- Place your right hand on top of the frame. Continue to grip the brake arm as needed to prevent cable backlash and pull the winch assembly all the way toward you.
- When the winch is fully extended (away from the frame housing), release the brake arm and swing the retaining hook away so it no longer secures the telescoping sections inside the frame housing.



5. Press the winch assembly slightly back toward the frame. This automatically engages the slide bar lock to keep the winch fully extended.  
**IMPORTANT:** Before continuing be sure that the slide barlock is fully engaged—that is, rotate clockwise as far as possible.



**WARNING:**  
To avoid injury, slide bar lock must be fully engaged if winch assembly is extended



**6. Attach the cradle to the frame:**

- a. Insert the cradle's post into the opening on top of the frame.
- b. Secure the cradle to the frame by snapping the tilt latch upward so it hooks over the stud on the cradle.

**7. Attach the cross arm to the cradle:**

**NOTE :** The cross arms are interchangeable

- a. Slide the tapered plate on the cross arms into the tapered socket on the cradle.
- b. Press each cross arm forward in the socket until the spring tab on the bottom of the cross arm snaps into place.

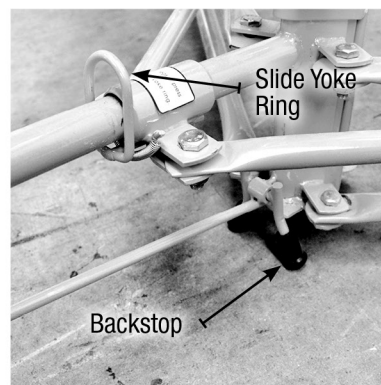
## Operator Controls

### Slide Yoke Ring

Press down on the slide yoke ring to unlatch the two forward legs so they can be rotated out to the lift's working position or in to its storage position. A spring-loaded pin snaps into a hole on the bottom of the slide tube to lock the folding legs in position.

### Backstop

Pivot the backstop down to prevent the base from rolling backward. Or up to allow the unit to wheel freely.



# Operator Controls

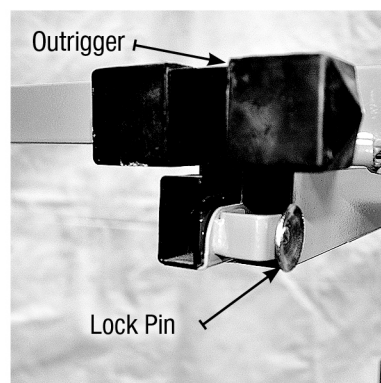
## Outriggers

The outriggers on the cross arms extend for supporting a longer plasterboard panel.

To extend an outrigger, pull out the lock pin with your right hand until you can slide the outrigger out with your left hand. The lock pin can engage to lock the outrigger at one of the three positions. Fully retracted, extended 53.3cm or extended 83.8cm.

**IMPORTANT:** Never load the sheet lifter or operate the lift if the lock pins are not engaged at one of these three positions or if the outriggers are extended beyond the 83.3cm position.

To avoid damaging them always fully retract the outriggers before transporting or storing the lift.



## Panel Support Hooks

Open the support hook on each cross arm to support the plasterboard sheet when it's being loaded or the cradle is tilted.

To avoid damaging the hooks always close them before transporting or storing the lift.

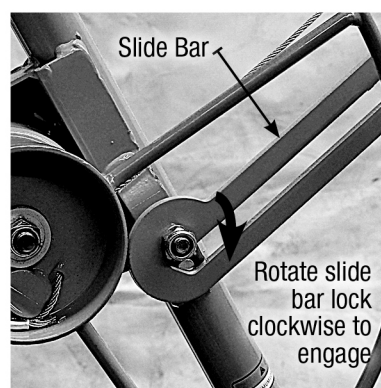


## Slide Bar Lock

The slide bar lock holds the winch assembly at its operating (fully extended) position.

To fold the winch assembly against the frame (when disassembling the unit for transport or storage) disengage the lock by turning it counter clockwise as you lift on the slide bar. When you reassemble the unit for operation, extending the winch assembly all the way and then pressing it back slightly toward the frame automatically engages the lock.

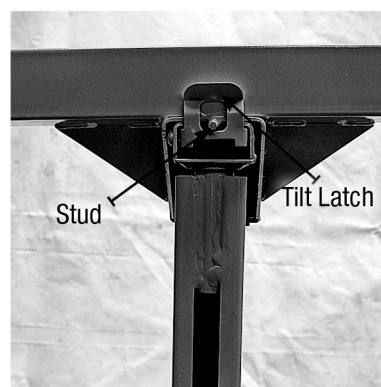
Never tighten the nut on the slide bar lock or you will be unable to fold up the unit for transport or storage.



## Tilt Latch

To allow the cradle to tilt (for loading the plasterboard sheet, or for raising the sheet to a side wall or sloped ceiling or to remove the cradle from the frame, pivot the tilt latch out and down. To lock the cradle onto the frame without tilting, pivot the latch up to engage the stud on the cradle.

**NOTE:** When it is in the level (nontilted) position, the cradle will also tilt up to 10 degrees side to side.



## Brake Arm

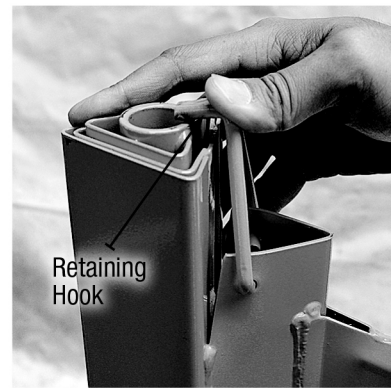
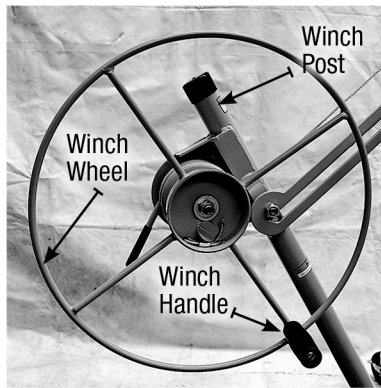
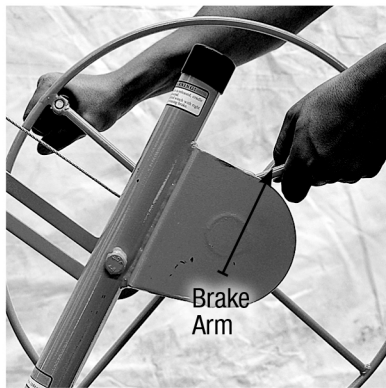
A spring-loaded brake holds the cradle at whatever height you raise it by cranking the winch wheel. To lower the cradle control the backward rotation of the winch by grasping the wheel handle as you carefully raise the brake arm to release the brake.

## Winch Wheel, Handle and Post

Cranking the winch (using the wheel handle) coils or uncoils the cable that raises or lowers the cradle. Grasp the post for leverage when cranking the winch.

## Retaining Hook

The retaining hook secures the telescoping sections inside the frame for transport and storage.



# Operating Procedure



### **WARNING:**

**To avoid injury, follow all important precautions before you operate the lift**

## Safety check before operation

Before you begin operating the lift each day:

- Inspect the unit carefully for wear or damage. Pay special attention to the cable
- Be sure the lift is at working temperature before operating
- Be sure the winch break drum is clean and dry before operating

## To load a plasterboard panel

1. Set (lower) the backstop, so the lift won't roll back.
2. Swing open the panel support hooks on the two cross arms, be sure the cradle is turned so the support hooks are on the opposite side from the winch wheel (see Figure 1).

# Operating Procedure

3. Extend the cross arm outriggers on the cradle as needed to fully support the length of the plasterboard sheet (see Figure 2).
4. Release the tilt latch to tilt the cradle (see figure 3).
5. Hold the plasterboard sheet with its face paper toward the tilted cradle and load the panel onto the lift. Set the panel onto the support hooks and carefully lean it against the cross arms (see Figure 4).
6. If installing the panel on a flat ceiling, tilt the cradle back up to its level position and lock the tilt latch. If installing the panel on the side wall or a sloped ceiling, leave the cradle tilted.
7. Raise the backstop on the base and carefully roll the lift close to the position where the panel will be installed.

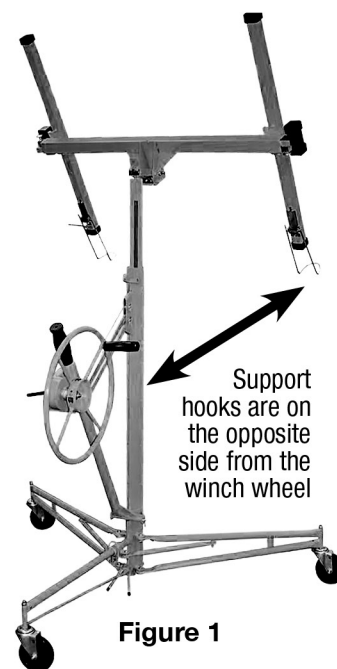


Figure 1

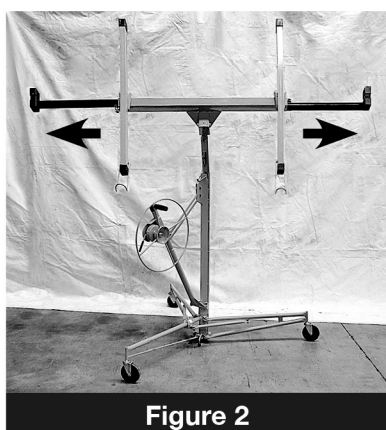


Figure 2

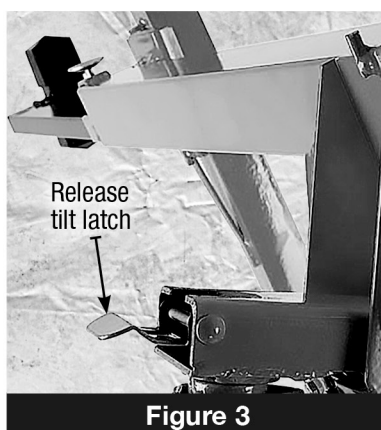


Figure 3

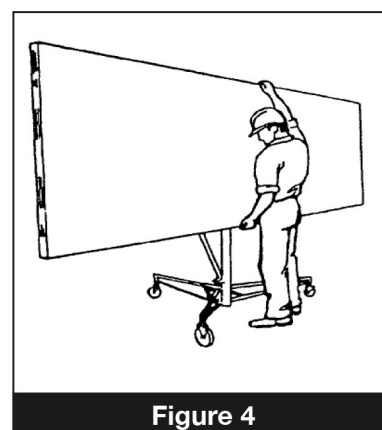


Figure 4

## To raise the panel

**IMPORTANT:** Always lower the backstop before raising the panel to sloped ceiling or a side wall.

1. Crank the winch wheel in the direction shown in figure 5 (hold the post for leverage) until the panel is at the desired height.
2. The brake is spring loaded to automatically hold the cradle at the selected height when you stop cranking.

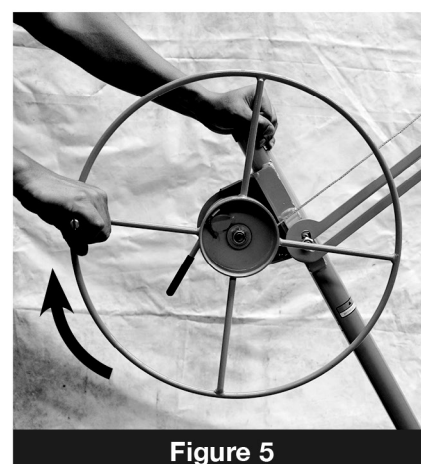
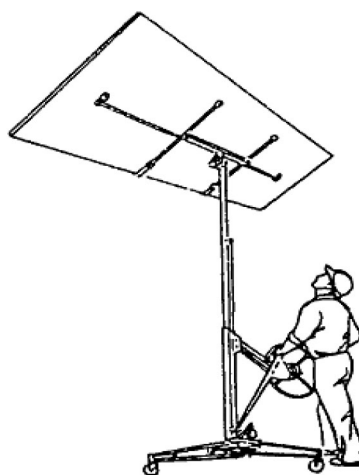


Figure 5



**WARNING:**

- Use only for lifting a plasterboard sheet
- Lift **ONLY** one sheet at a time
- **NEVER** lift more than 68kg
- **ALWAYS** wear a hard hat when operating
- Watch for overhead obstructions when raising sheets

**To lower the panel**

1. Grasp the wheel handle with your right hand so you can restrain the backward rotation of the winch.
2. Retain your hold on the winch handle. Carefully release the brake with your left hand and slowly rotate the wheel backward to lower the cradle to the desire height. (figure 6)

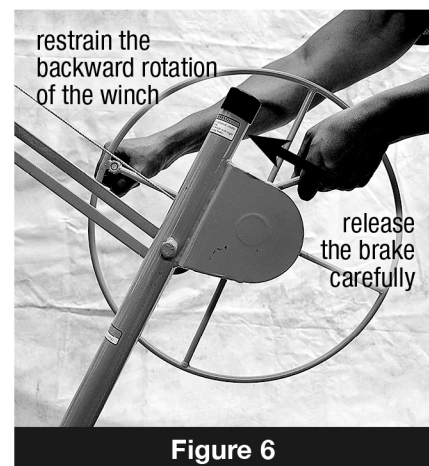
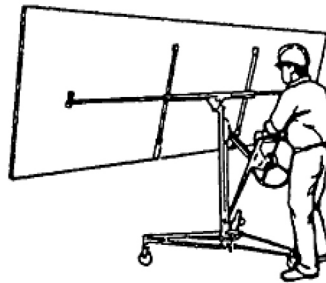


Figure 6



**CAUTION:**

**Cradle drops rapidly when brake arm is released. Control winch with your right hand on wheel handle BEFORE releasing brake.**

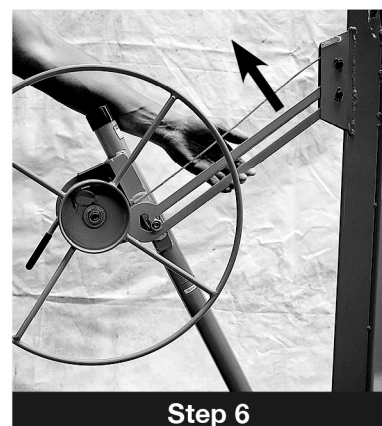
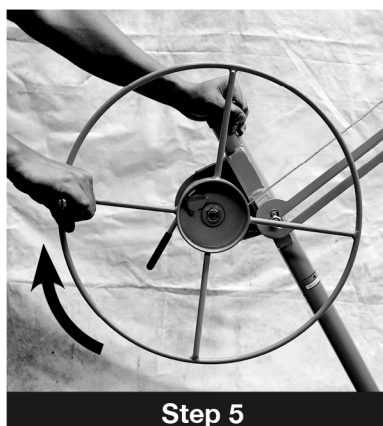
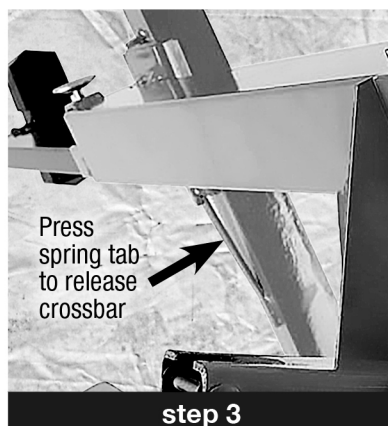
## Disassembly

**To disassemble the drywall lift for transport or compact storage**

1. Crank the cradle all the way down.
2. Slide the cradle outriggers all the way in until they latch. Close the panel support hooks.
3. Remove the cross arms by pressing the spring tab on the bottom and sliding the cross arm out of the tapered socket.
4. Unlock the cradle tilt latch, lift the cradle about 7.6cm until you can remove it from the frame.
5. Rotate the winch wheel one full rotation forward. This will raise the inner telescoping section.
6. Unlock the winch assembly by lifting the slide bar with your left hand while you rotate the slide bar lock counter clockwise with your right hand.



# Disassembly



7. Hold the slide bar lock in this disengaged position (step 6) and press down on the telescoping sections in the frame with your left hand.
8. Crank the telescoping sections all the way down. Swing up the retaining hook as shown and crank the telescoping sections back up slightly until secured by the hook.
9. Hold the retaining hook in this position with your left hand and rotate the winch forward with your right hand. The winch assembly will fold up against the frame. When the slide bar contacts the frame, tighten the cable by turning the wheel further (just enough to hold the winch assembly in this position).
10. Carefully lift the frame/winch about 2.5cm to free it from the tripod base.
11. To fold the base, press down on the slide yoke ring and pivot the forward legs until they lock in the closed position.



# Maintenance

- **Inspect the cable before each workday. Replace it at the first sight of wear (refer to the instructions supplied with the replacement cable).**
- **Occasionally oil the cable pulleys. Crank up the telescoping sections for access to the internal cable pulley. Never allow oil or grease to contact the surface of the winch brake drum.**
- **Occasionally oil the caster bearings.**
- **If the telescoping sections of the frame does not operate smoothly apply household paraffin to the sliding surfaces.**

# Parts List

## Wallboard Sheet Lifter (PL-3350) spare parts

Reference No.	Description	Qty Per Lifter	Reference No.	Description	Qty Per Lifter
<b>Tripod Base</b>			<b>Cradle Assembly</b>		
1	Complete tripod base assembly	1	41	Complete cradle assembly (excluding crossarms)	1
2	Centre leg (with fasteners)	1	42	Body cradle	1
3	Outer leg (with fasteners)	2	43	Outrigger lock pin (with spring and clip)	2
4	Caster	3	44	Outrigger (with end caps)	2
5	Spring, tension, slide yoke ring	1	45	Complete head assembly for cradle	1
6	Tie arm (with fasteners)	2	46	Body mounting head	1
7	Backstop tip rubber	2	47	Tilt latch for cradle (with fastener)	1
<b>Frame Assembly</b>			48	Tension spring	1
10	Complete frame assembly (includes winch assembly)	1	49	Compression spring	2
11	Frame housing	1	50	Hinge pin (with bolts)	1
12	Telescoping section, inner	1	<b>Cradle Crossarms</b>		
13	Telescoping section, outer (with pulley)	1	60	Complete cross arm assembly	2
<b>Winch Assembly</b>			61	Cross arm body	2
20	Complete winch assembly	1	62	Support hook (with fastener)	2
21	Winch post (with pin and fastener)	1	63	Cross arm cap	2
22	Slide bar (with axle and cotter pin)	1	<b>Extension Accessory</b>		
23	Slide bar lock (with Fasteners)	1	70	Complete extension accessory	1
24	Cable	1	71	Telescoping section Inner	1
25	Pulley (with axle and cotter pin)	3	72	Telescopic section outer (with pulley)	1
26	Retaining hook	1	73	Cable	1
27	Winch wheel (with flange bearings)	1			
28	Bushing	1			
29	Bolt (with nut and washer)	1			
30	Brake arm assembly	1			
31	Lining brake (with fastener)	1			
32	Tension spring brake arm	1			
33	Brake hub (with bolts)	1			
34	Handle winch wheel	1			

# Parts List

